



UDTJ-10 centrifugal egg cracker

Description

Capacity: 10 000 recommended / max 21 000 eggs/hour

Replaces: 3 people

Power supply: 1.1 kW 110 V 1/N/PE 50/60 Hz
1.1 kW 230 V 3/N/PE 50/60 Hz
1.1 kW 400 V 3/N/PE 50/60 Hz

Dimensions: 20x28x35 in.

Minimal workspace: 59x59 in.

Compressed air: n/a

Weight: 132 lbs

Water: n/a

Operated by: 1 person

Drain: n/a

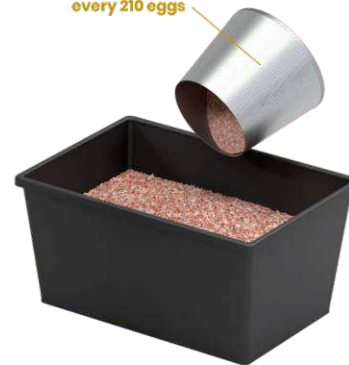
Compatibility: PS-UDTJ, FS

The UDTJ-10 is a semi-automatic centrifugal egg cracker which produces fresh liquid egg. After filling the hopper with eggs, the machine cracks the eggs and separates the liquid egg from the eggshells using an internal filter. Shells should be removed from the filter after every 210 eggs, after which breaking can be continued. The machine is made out of stainless steel EN 1.4301 (AISI 304).

The machine is certified for compliance with the NSF/ANSI 8 - Commercial Powered Food Preparation Equipment standard.

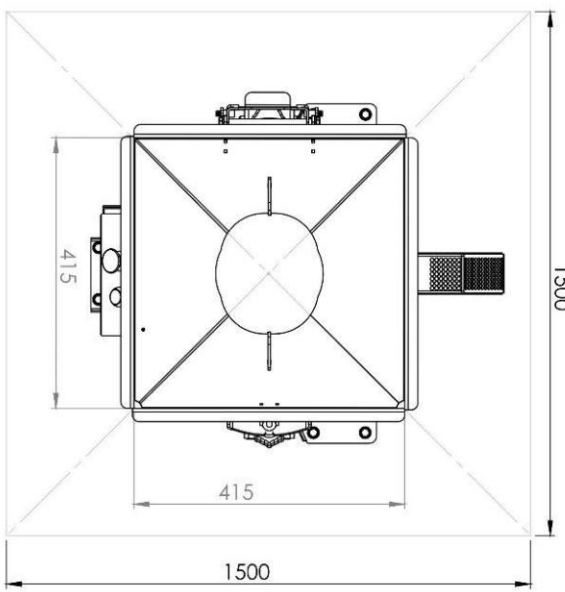
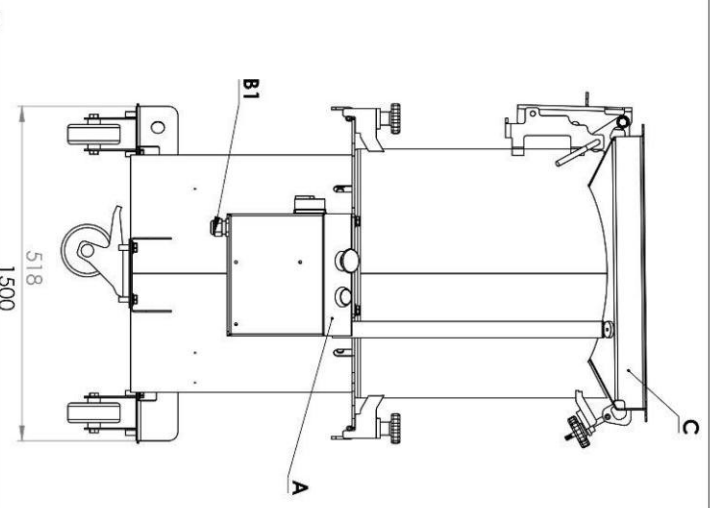
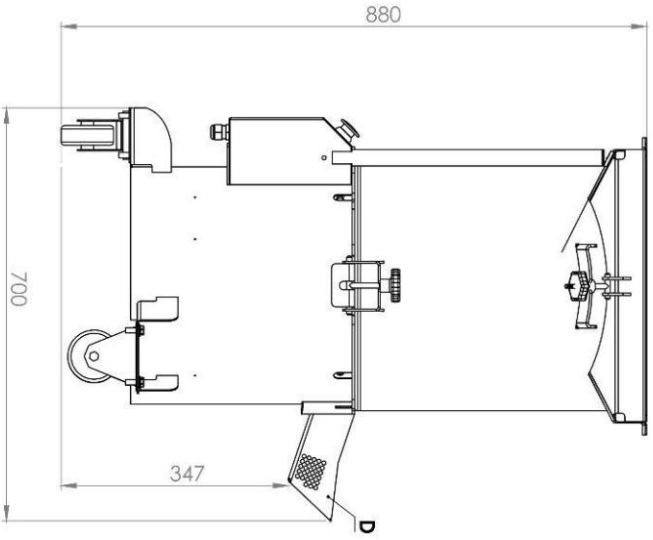


eggshell filter should be emptied every 210 eggs



DATE
10.05.2022
 PROJECT
 DOK-LAY-EN-A.1

AUTHOR
 PG



UDT1-10 NSF centrifugal egg cracker

Typical workplaces:	egg breaking facilities, bakeries, confectioneries, pasta making companies
Capacity:	4000 eggs/hour
Power supply:	1.1 kW 110V 1/2N/PE 50/60 Hz 1.1 kW 230 V 1/2N/PE 50/60 Hz 1.1 kW 230 V 3/N/PE 50/60 Hz 1.1 kW 400 V 3/N/PE 50/60 Hz
Water connection:	N/A
Compressed air connection:	N/A
Minimal workspace:	1500x1500
Dimensions:	518 x 700 x 880 mm
Operated by:	1 person
Minimal wall clearance:	the rear side - 600 mm
Additional information	N/A
A B1 C D	control panel electrical eggs input liquid egg outlet

OVO TECH
 EGG PROCESSING MACHINES

All rights reserved
 Information presented in this document is confidential and intended for the use of the recipient. Any use of this material, including reproduction, without the prior written permission is strictly prohibited.