

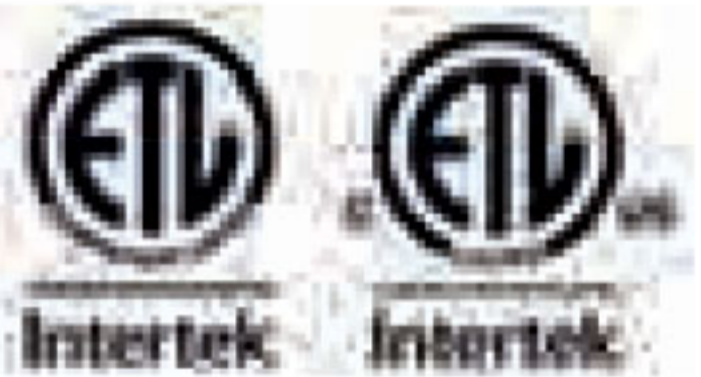
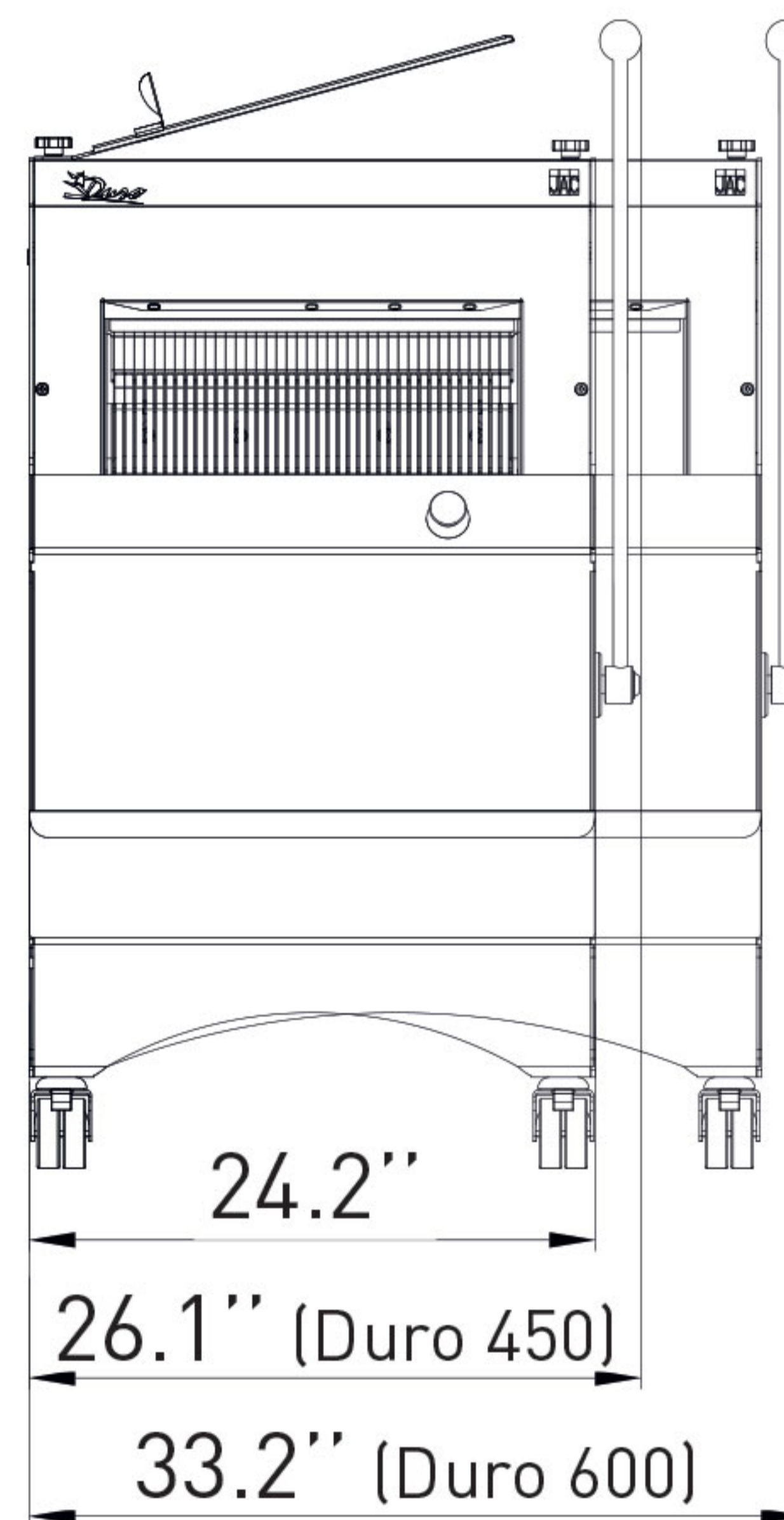
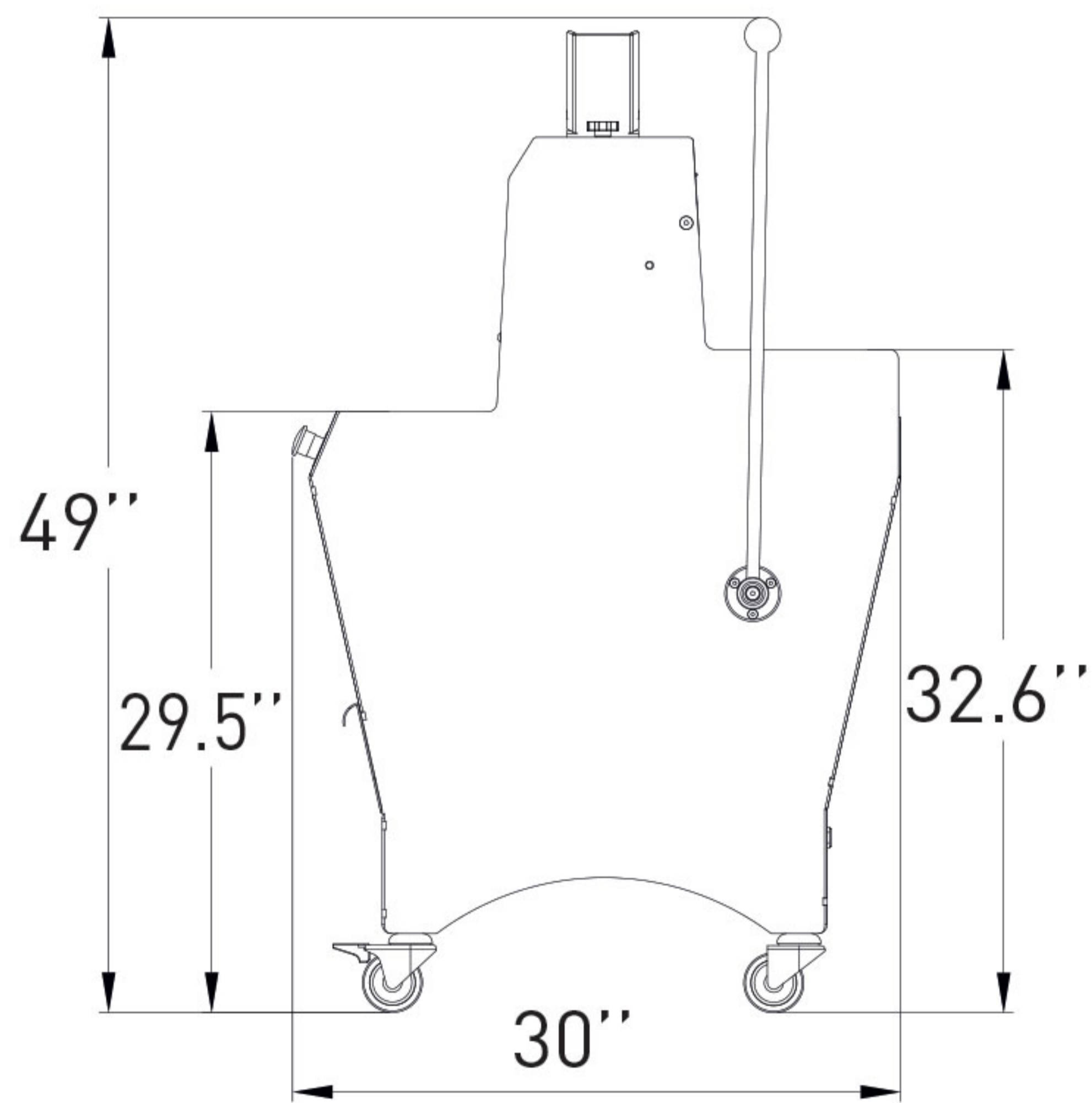


# DURO

## Semi-automatic frame slicer



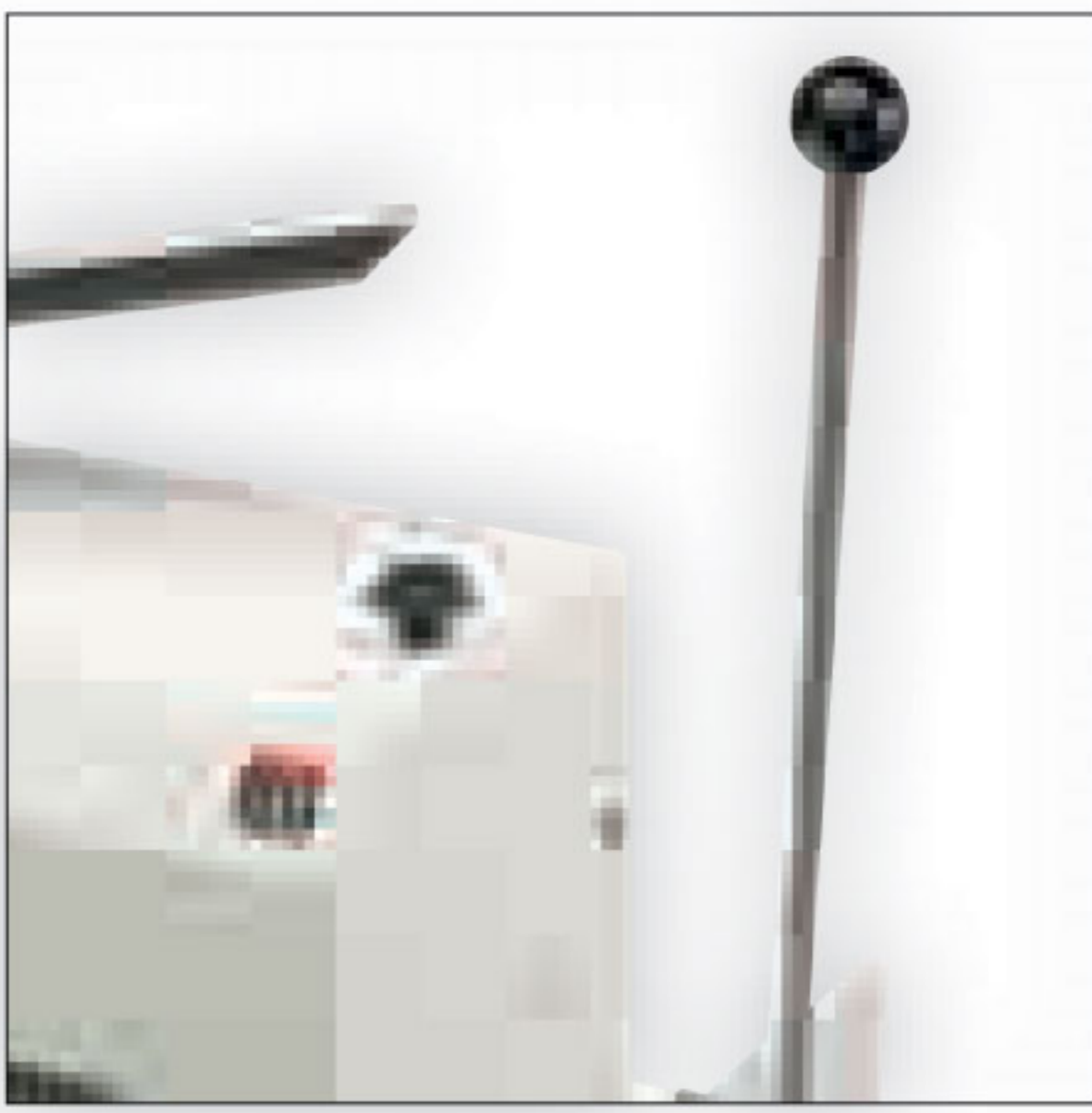
- ✓ Robust
- ✓ Progressive traction lever
- ✓ Available as single or dual slice models
- ✓ 5 years parts / 1 year labor warranty



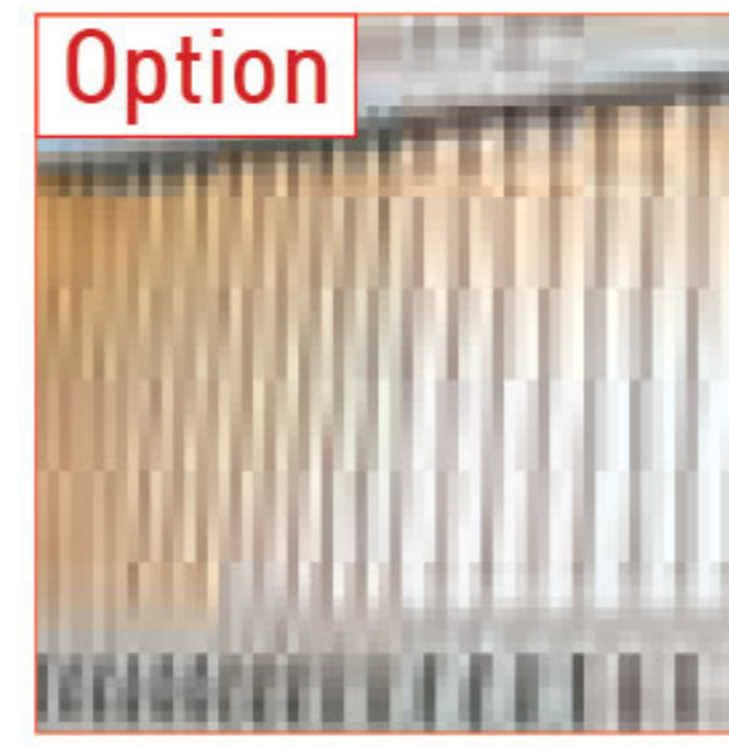
800.682.8203 | WWW.ERIKARECORD.COM

37 ATLANTIC WAY, CLIFTON, NJ 07012





**Progressive traction lever**  
Provides better control.



**Option**  
**Double slice thickness**  
Allows two different slice thicknesses on the same machine.



**Removable crumb collector**  
Accessible from the front, collects up to 4 gallons of crumbs.



**Option**  
**Stainless steel rear safety cover**  
Lever actuated, closes the cover starts the slicing cycle



**Option**  
**1.6" height adjustment**  
Increases working comfort for tall operators.



**Bagging spade**  
For easy bagging of sliced loaves.

**Notes:**

---



---



---



---



---

**Authorized Distributor**



FEATURES	DURO 450	DURO 600
Max. loaf dimensions in in (L x W x H)	17.3" x 12.6" x 6.3"	23.6" x 12.6" x 6.3"
Motor power in kW	0.49	0.49
Type of motor	1ph/120V/60Hz/7.3A	1ph/120V/60Hz/7.3A
Net weight in lbs	331	386

CHOICES	DURO 450	DURO 600
Slice thickness options	from 3/8" to 1 1/4"	from 3/8" to 1 1/4"

OPTIONS	DURO 450	DURO 600
1.6" height adjustment	•	•
Double slice thickness		•
Rear safety cover	•	•