

INTEGRATED OVEN LOADER



System integrated in the oven for positioning the loading setter in front of the chamber to be loaded. It is made up of two counterweighted and balanced columns which position the loading setter at the required height without any effort required from the operator and a translating loading setter holder which makes it possible to position it directly in front of the selected door.

The whole device can be lifted out of the way to free the front of the oven so that manual operations are not hindered.

INTEGRATED OVEN LOADER for TRONIK and TERMIK ovens With manual loading setter

Stainless steel integrated loader, **width = 760**, fixed for **Tronik** oven, mod. 700

Stainless steel integrated loader, **width = 920**, fixed for **Tronik** oven, mod. 900

Stainless steel integrated translating loader, **width = 760** for **Tronik** oven, mod. 1500

Stainless steel integrated translating loader, **width = 615** for **Tronik/Termik** ovens, mod. 1200

Stainless steel integrated translating loader, **width = 615** for **Tronik/Termik** ovens, mod. 1800

Optional: table holding structure for loader

Spare setter, **width = 615** for **Tronik** ovens, useable length 1300

Spare setter, **width = 615** for **Tronik/Termik** ovens, useable length 1700

Spare setter, **width = 615** for **Tronik/Termik** ovens, useable length 2100

Spare setter, **width = 615** for **Tronik/Termik** ovens, useable length 2500

Spare setter, **width = 760** for **Tronik** ovens, useable length 1700

Spare setter, **width = 760** for **Tronik** ovens, useable length 2100

Spare setter, **width = 760** for **Tronik** ovens, useable length 2500

Spare setter, **width = 920** for **Tronik** ovens, useable length 1300

Spare setter, **width = 920** for **Tronik** ovens, useable length 1700

Spare setter, **width = 920** for **Tronik** ovens, useable length 2100

Spare setter, **width = 920** for **Tronik** ovens, useable length 2500

Additional cost of **loading/unloading thin tip** for setters

Additional cost of **black** loader finish to match the TRONIK oven with black front

INTEGRATED OVEN LOADER for ANULAR ovens With manual loading setter

Stainless steel integrated translating loader, **width = 615** for **Anular** oven mod. 1200

Stainless steel integrated translating loader, **width = 615** for **Anular** oven mod. 1800

Optional: table holding structure for loader.

Spare setter for **Anular** oven, useable length 1600

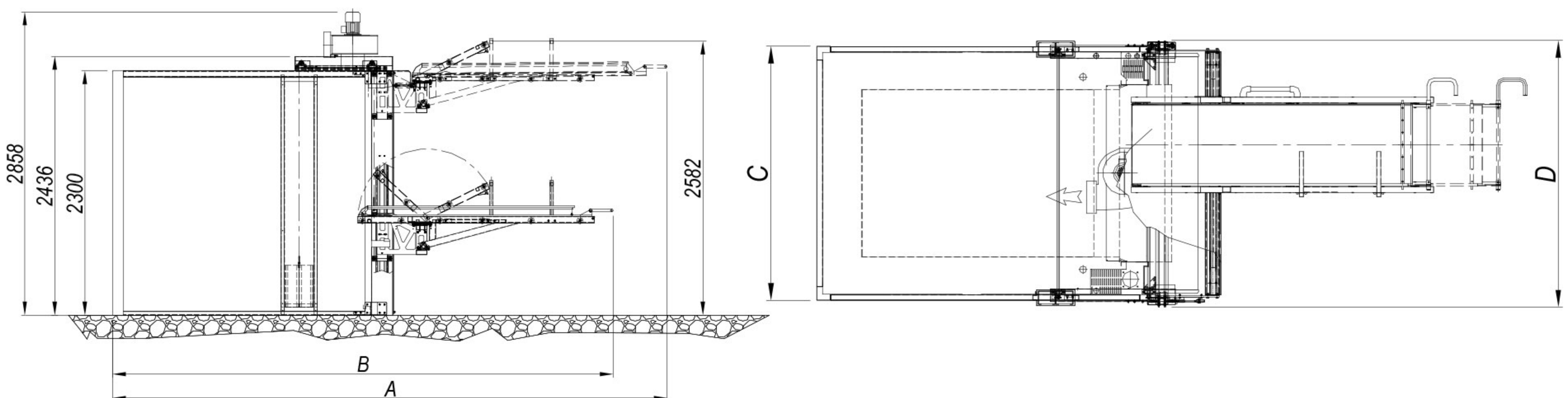
Spare setter for **Anular** ovens, useable length 2000

Spare setter for **Anular** ovens, useable length 2400

Additional cost of **loading/unloading thin tip** for setters

ANULAR OVEN: oven loading systems / size

A) ANULAR integrated oven loader technical data

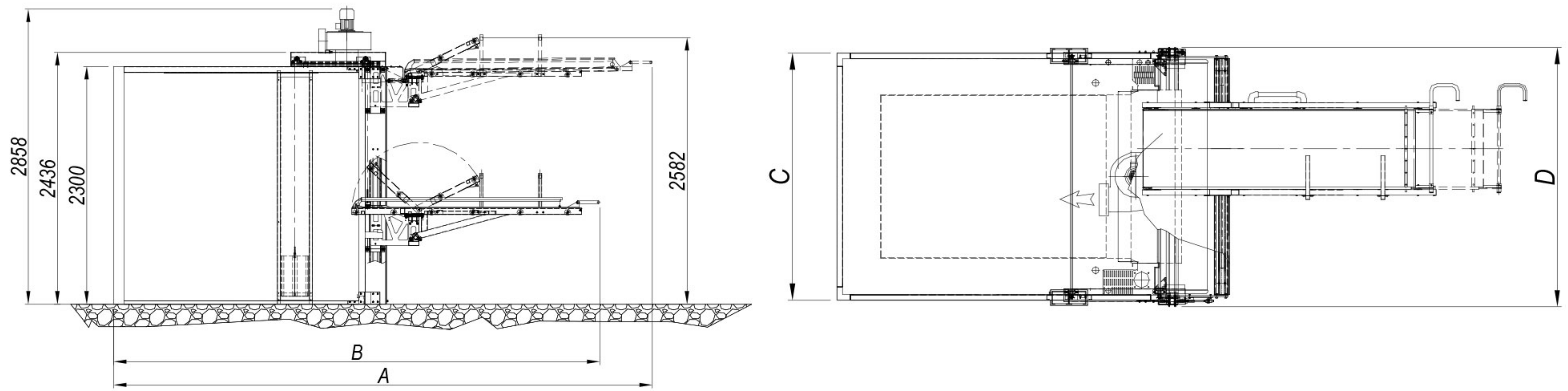


- **Technical clearance to the sides: 300mm (only for the depth of the counterweight columns)**
- **Minimum required height: 2500mm (with obligation to move the hood extractor fan)**

	Internal depth	External depth	Length in stand-by A	Length in work position B	Width of the oven C	Width With oven loader D	Height of the loader columns
ANULAR - 2 doors - 615							
AST 123/4/5 C model	1600 mm	2700mm	5370 mm	4770 mm	1880 mm	1970 mm	2436 mm
AST 123/4/5 M model	2000 mm	3100mm	6170 mm	5570 mm			
AST 123/4/5 L model	2400 mm	3500mm	6970 mm	6370 mm			
ANULAR - 3 doors - 615							
AST 183/4/5 C model	1700 mm	2700mm	5370 mm	4770 mm	2500 mm	2580 mm	2436 mm
AST 183/4/5 M model	2100 mm	3100mm	6170 mm	5570 mm			
AST 183/4 L model	2500 mm	3500mm	6970 mm	6370 mm			

TERMIK OVEN: oven loading systems / size

A) TERMIK integrated oven loader technical data



- Technical clearance to the sides: 300 mm (only for the depth of the counterweight columns)
- Minimum required height: 2,500 mm (with obligation to move the hood extractor fan)

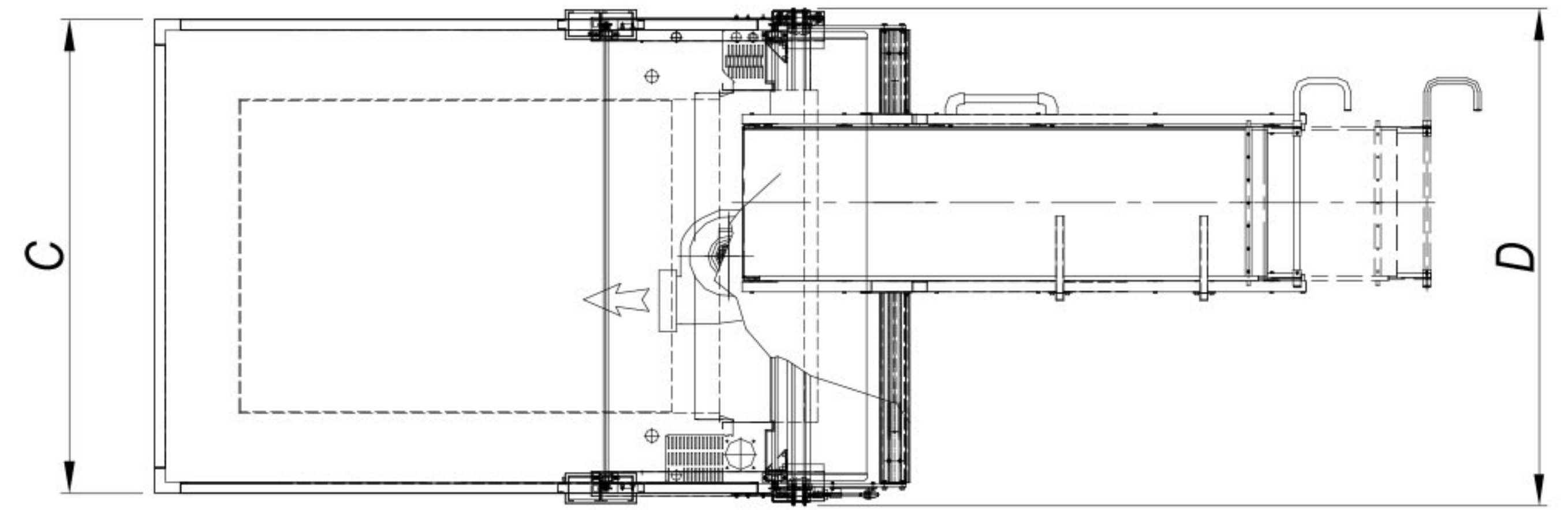
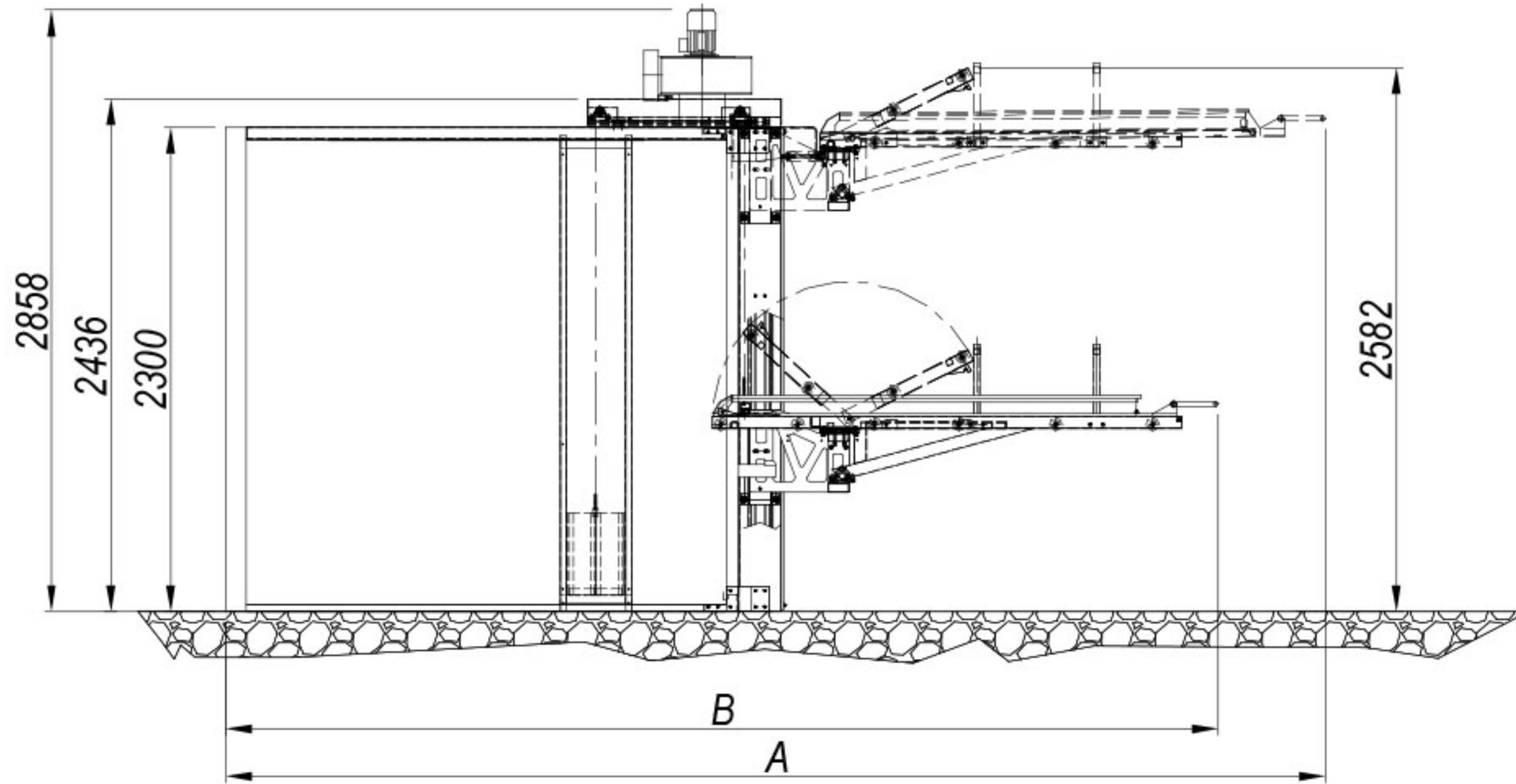
	Internal depth	External depth	Length in stand-by	Length in work position	Width of the oven	Width With oven loader	Height of the loader columns
			A	B	C	D	
TERMIK - 2 doors - 615							
CT 123/4/5 C model	1700 mm	2850 mm	5580 mm	4980 mm	1880 mm	1970 mm	2436 mm
CT 123/4/5 M model	2100 mm	3250 mm	6380 mm	5780 mm			
TERMIK - 3 doors - 615							
CT 183/4/5 C model	1700 mm	2850 mm	5580 mm	4980 mm	2500 mm	2580 mm	2436 mm
CT 183/4/5 M model	2100 mm	3250 mm	6380 mm	5780 mm			
CT 183/4/5 L model	2500 mm	3650 mm	7180 mm	6580 mm			

INTEGRATED OVEN LOADER

INTEGRATED OVEN LOADER

TRONIK OVEN: Oven loading systems / size

A) TRONIK integrated oven loader technical data



- Technical clearance to the sides: 300mm (only for the depth of the counterweight columns)
- Minimum required height: 2500mm (with obligation to move the hood extractor fan)

	Internal depth	External depth	Length in stand-by	Length in work position	Oven width	Width With oven loader	Height of the loader columns
			A	B	C	D	
TRONIK - 1 door - 760							
ET 73/4/5 C model	1700 mm	2410 mm	5208 mm	4700 mm	1280 mm	1380 mm	2436 mm
ET 73/4/5 M model	2100 mm	2810 mm	6008 mm	5500 mm			
ET 73/4/5 L model	2500 mm	3210 mm	6808 mm	6300 mm			
TRONIK - 1 door - 920							
ET 93/4/5 SC model	1300 mm	2010 mm	4408 mm	3900 mm	1440 mm	1540 mm	2436 mm
ET 93/4/5 C model	1700 mm	2410 mm	5208 mm	4700 mm			
ET 93/4/5 M model	2100 mm	2810 mm	6008 mm	5500 mm			
ET 93/4/5 L model	2500 mm	3210 mm	6808 mm	6300 mm			
TRONIK - 2 doors - 615							
ET 123/4/5 SC model	1300 mm	2010 mm	4408 mm	3900 mm	1750 mm	1850 mm	2436 mm
ET 123/4/5 C model	1700 mm	2410 mm	5208 mm	4700 mm			
ET 123/4/5 M model	2100 mm	2810 mm	6008 mm	5500 mm			
ET 123/4/5 L model	2500 mm	3210 mm	6808 mm	6300 mm			
TRONIK - 2 doors - 760							
ET 153/4 C model	1700 mm	2410 mm	5208 mm	4700 mm	2050 mm	2150 mm	2436 mm
ET 153/4 M model	2100 mm	2810 mm	6008 mm	5500 mm			
ET 153/4 L model	2500 mm	3210 mm	6808 mm	6300 mm			
TRONIK - 3 doors - 615							
ET 183/4/5 C model	1700 mm	2410 mm	5208 mm	4700 mm	2370 mm	2470 mm	2436 mm
ET 183/4/5 M model	2100 mm	2810 mm	6008 mm	5500 mm			
ET 183/4/5 L model	2500 mm	3210 mm	6808 mm	6300 mm			

INTEGRATED OVEN LOADER

INTEGRATED OVEN LOADER