

Scissor trolley

This is a trolley which moves parallel to the front of the oven on which a spring pantograph is installed to lift the setter to the height of the baking chamber to be loaded without any effort required from the operator. By moving the trolley sideways, the door to the chamber to be loaded can be reached.

SCISSOR TROLLEY for TRONIK, TERMIK and MODULAR ovens

Without manual loading setter

Scissor trolley for **Tronik/Termik** ovens with 615 mm doors

Scissor trolley for **Tronik** ovens with 760 - 920 mm doors

615 mm manual loading setter for **Tronik** scissor trolley, length: 1300

615 mm manual loading setter for **Tronik/Termik** scissor trolley, length: 1700

615 mm manual loading setter for **Tronik/Termik** scissor trolley, length: 2100

615 mm manual loading setter for **Tronik/Termik** scissor trolley, length: 2500

760 mm manual loading setter for **Tronik** scissor trolley, length: 1700

760 mm manual loading setter for **Tronik** scissor trolley, length: 2100

760 mm manual loading setter for **Tronik** scissor trolley, length: 2500

920 mm manual loading setter for **Tronik** scissor trolley, length: 1300

920 mm manual loading setter for **Tronik** scissor trolley, length: 1700

920 mm manual loading setter for **Tronik** scissor trolley, length: 2100

920 mm manual loading setter for **Tronik** scissor trolley, length: 2500

Glass-lifter for door opening for **Tronik/Termik** setter

Additional cost of **loading/unloading setters**

SCISSOR TROLLEY for ANULAR ovens

Without manual loading setter

Scissor trolley for 615 mm doors

Manual loading setter for Anular scissor trolley, length: 1600

Manual loading setter for Anular scissor trolley, length: 2000

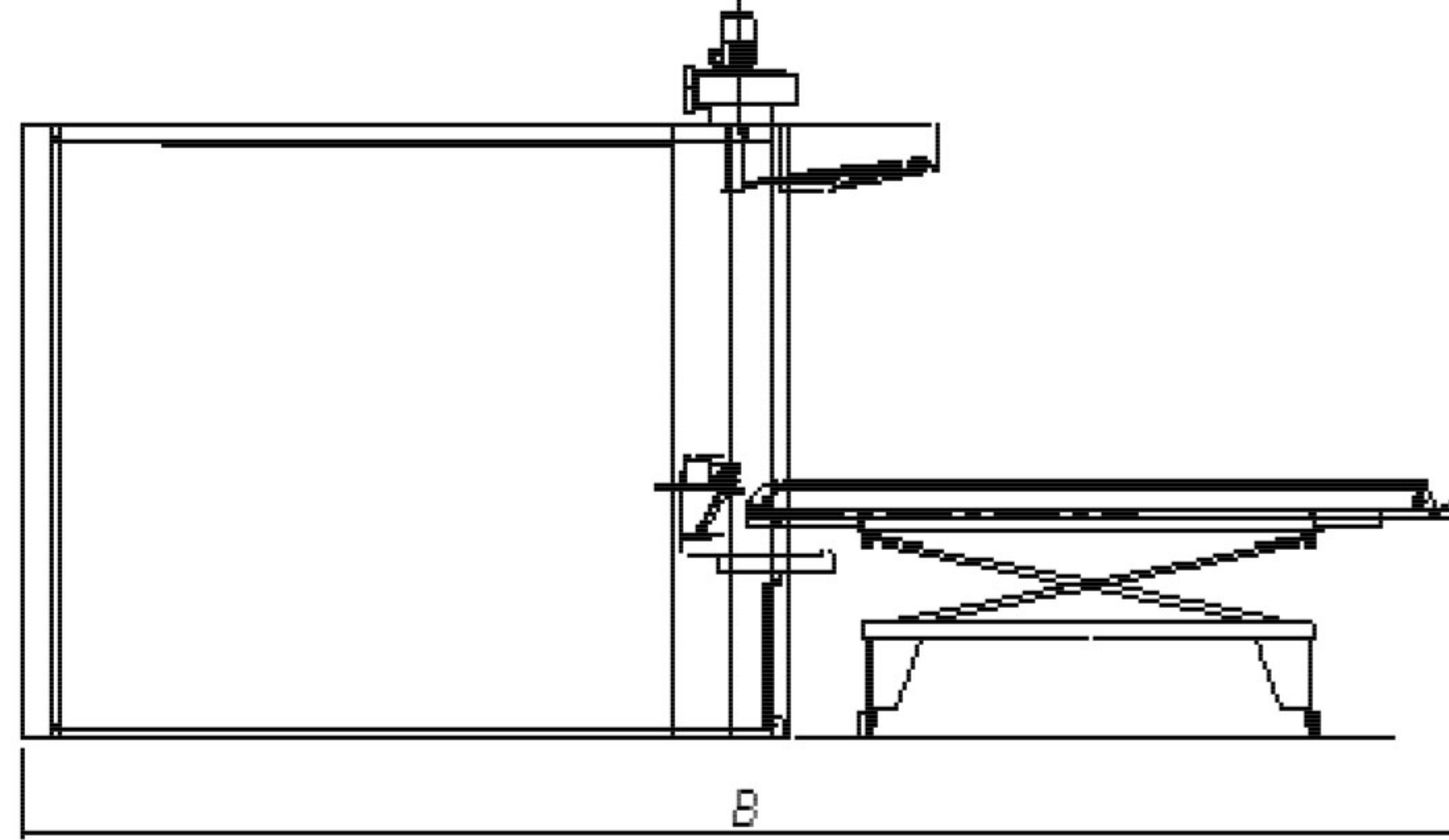
Manual loading setter for Anular scissor trolley, length: 2400

Glass-lifter for door opening for **Anular** setter

Additional cost of **loading/unloading thin tip** for setters

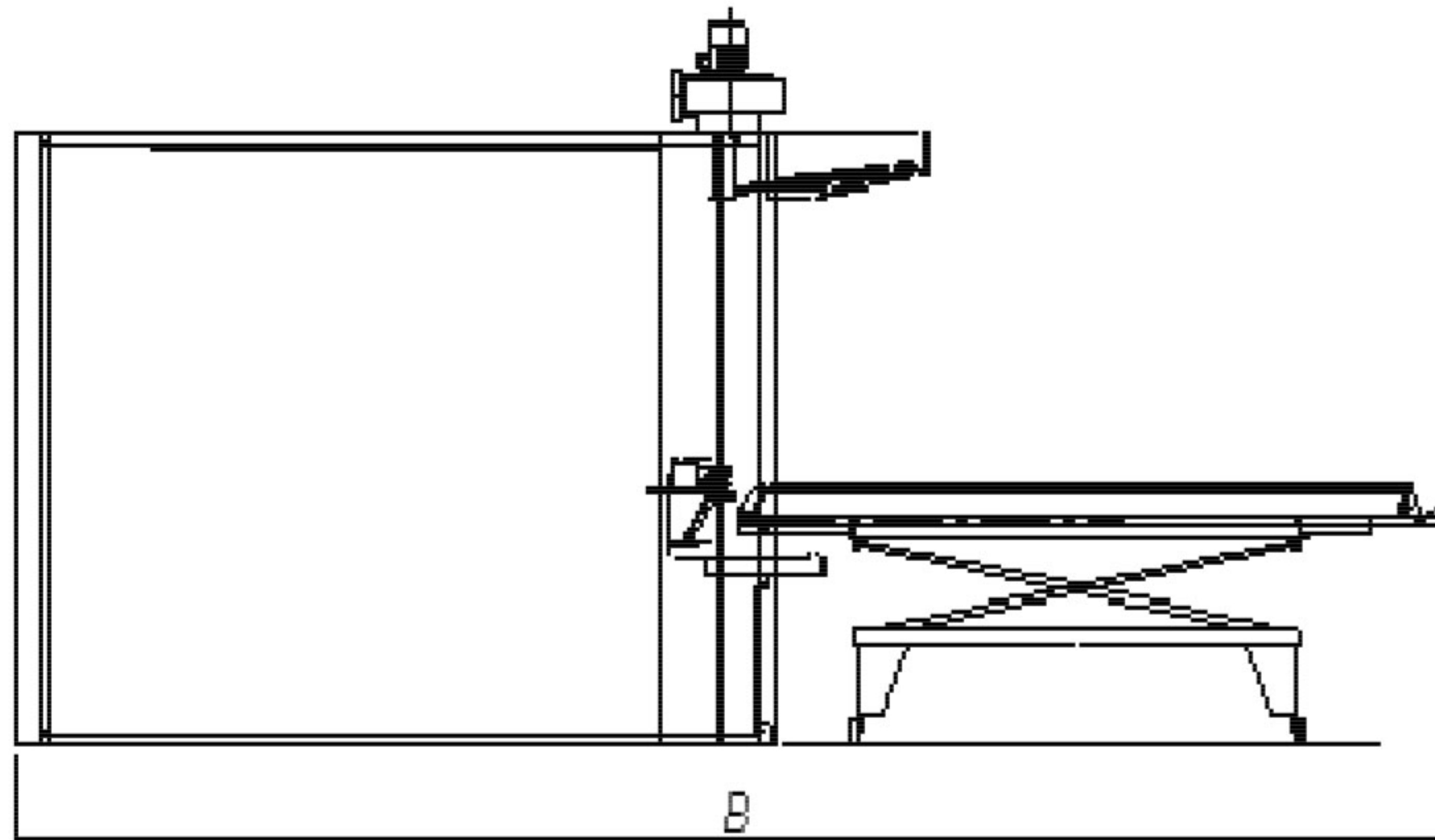


ANULAR scissor trolley technical data



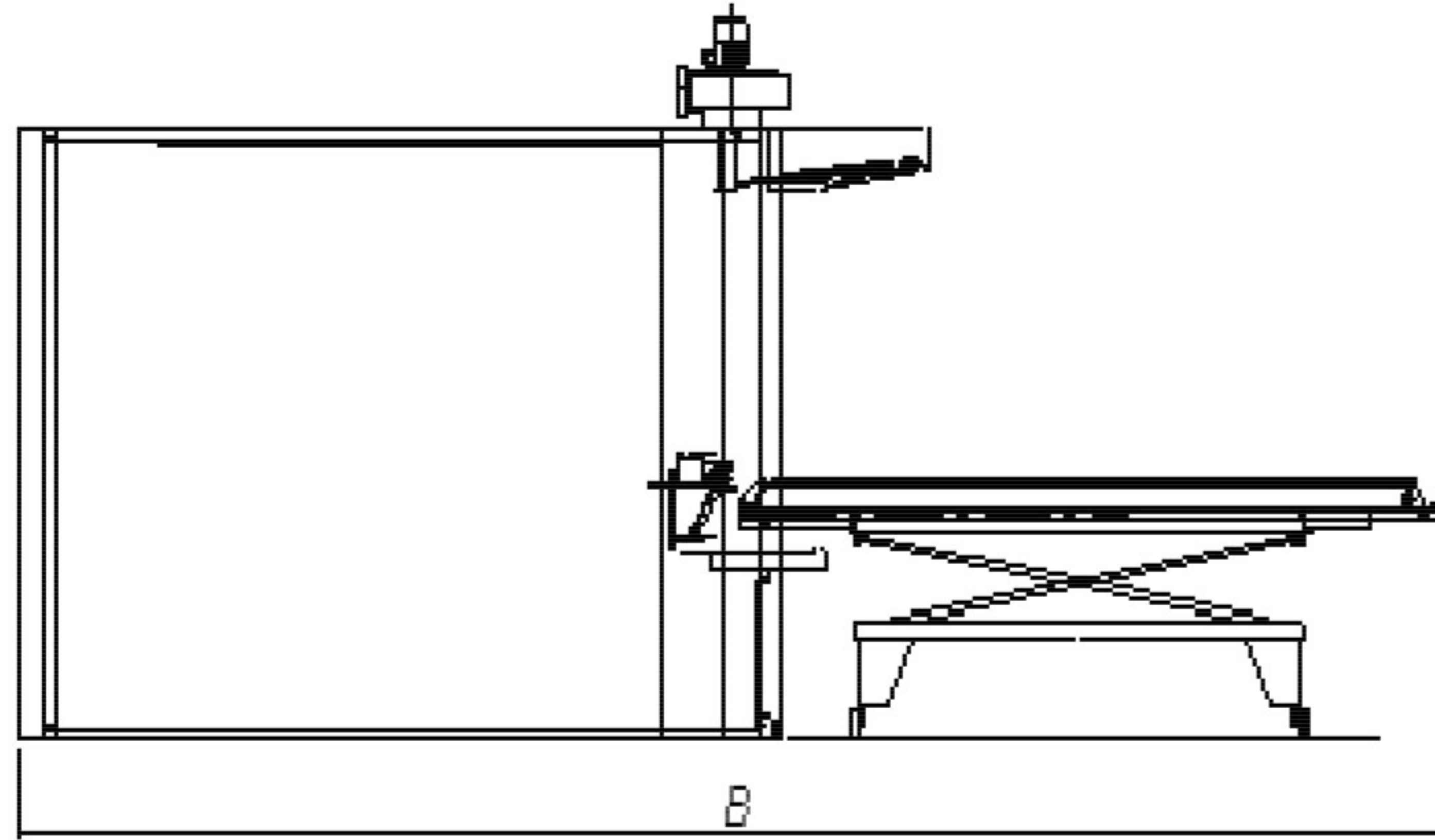
	Internal depth	External depth	External depth	Overall depth B
ANULAR - 2 doors - 615				
AST 123/4/5 C model	1600 mm	2700 mm	1900 mm	4970 mm
AST 123/4/5 M model	2000 mm	3100 mm		5770 mm
AST 123/4/5 L model	2400 mm	3500 mm		6570 mm
ANULAR - 3 doors - 615				
AST 183/4/5 C model	1700 mm	2700 mm	2500 mm	4970 mm
AST 183/4/5 M model	2100 mm	3100 mm		5770 mm
AST 183/4 L model	2500 mm	3500 mm		6570 mm

TERMIK scissor trolley technical data



	Internal depth	External depth	External width	Overall depth B
TERMIK - 2 doors - 615				
CT 123/4/5 C model	1700 mm	2850 mm	1880 mm	4960 mm
CT 123/4/5 M model	2100 mm	3250 mm		5760 mm
TERMIK - 3 doors - 615				
CT 183/4/5 C model	1700 mm	2850 mm	2500 mm	4960 mm
CT 183/4/5 M model	2100 mm	3250 mm		5760 mm
CT 183/4/5 L model	2500 mm	3650 mm		6560 mm

TRONIK scissor trolley technical data



	Internal depth	External depth	External width	Overall depth B
TRONIK - 1 door - 760				
ET 73/4/5 C model	1700 mm	2410 mm	1280 mm	4550 mm
ET 73/4/5 M model	2100 mm	2810 mm		5350 mm
ET 73/4/5 L model	2500 mm	3210 mm		6150 mm
TRONIK - 1 door - 920				
ET 93/4/5 SC model	1300 mm	2010 mm	1570 mm	3750 mm
ET 93/4/5 C model	1700 mm	2410 mm		4550 mm
ET 93/4/5 M model	2100 mm	2810 mm		5350 mm
ET 93/4/5 L model	2500 mm	3210 mm		6150 mm
TRONIK - 2 doors - 615				
ET 123/4/5 SC model	1300 mm	2010 mm	1870 mm	3750 mm
ET 123/4/5 C model	1700 mm	2410 mm		4550 mm
ET 123/4/5 M model	2100 mm	2810 mm		5350 mm
ET 123/4/5 L model	2500 mm	3210 mm		6150 mm
TRONIK - 2 doors - 760				
ET 153/4C model	1700 mm	2410 mm	2165 mm	4550 mm
ET 153/4 M model	2100 mm	2810 mm		5350 mm
ET 153/4 L model	2500 mm	3210 mm		6150 mm
TRONIK - 3 doors - 615				
ET 183/4/5 C model	1700 mm	2410 mm	2490 mm	4550 mm
ET 183/4/5 M model	2100 mm	2810 mm		5350 mm
ET 183/4/5 L model	2500 mm	3210 mm		6150 mm
TRONIK - 4 doors - 615				
ET 243/4 M model	2100 mm	2410 mm	3100 mm	5350 mm
ET 243/4 L model	2500 mm	2810 mm		6150 mm

SCISSOR TROLLEY

SCISSOR TROLLEY