

Programmable Automatic Reversible Pastry Sheeter



The Z.Matik SFA Series automatic reversible pastry sheeter is perfect for bakeries and restaurants with high volume production needs. In addition, they are easy to clean and service with completely removable dough scrapers. This versatile machine can also be coupled with an available cutting station.



Features

- ✓ **Programmable**
Programmable, color touchscreen interface capable of storing up to 50 recipes. Can be used in manual, semi-automatic, and automatic modes.
- ✓ **Versatility**
Suitable for a wide variety of doughs including: puffed, croissant, biscuit, doughnut, short dough, Phyllo (Filo). In addition, this machine can also be purchased with an optional cutting station.
- ✓ **Easy Cleaning**
Easy to remove polyethylene scrapers and conveyor belt made of synthetic material for easy cleaning.
- ✓ **Accessories**
Rolling pins with mounted supports are standard.
- ✓ **Reversible**
This floor pastry sheeter is reversible, enabling the operator to process dough in both directions saving both time and operator strain.
- ✓ **Easy Operation**
Quick and easy one-person setup, with user-friendly touchscreen controls.
- ✓ **Safety Guards**
Safety guard surrounds the area where dough is processed for added safety.
- ✓ **Durable Construction**
Ensures both hygiene and durability, this includes use of stainless steel materials.

**ACCESS OUR
 PRODUCT PAGE & VIDEO**

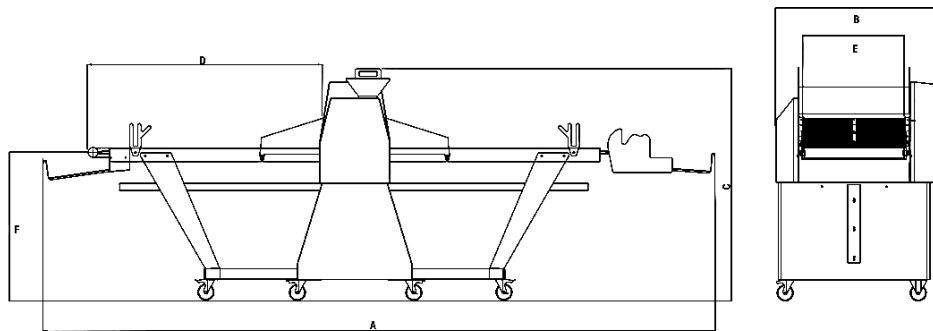


Available Options

- + Cutting Station**
Facilitates production of various pastry products including Croissants.
- + Additional Cutting Attachments**
Designed to be used in conjunction with the cutting station.
- + Flour Duster**
- + Automatic Dough Reeler**
Designed to automatically reel dough after processing

Technical Specifications

	SF 6514A	SF 6516A	SF 6520A
Electrical Specifications	220 v 3 ph 60 Hz		
Motor	1.1 kW 1.5 HP		1.5 kW 2 HP
Cylinder Dimensions	80 Ø 60 A (maximum roller opening)		
Certifications	BEAG		
<i>Standard Dimensions</i>			
Standard Dimensions (A x B x C)	156 x 40.75 x 57.5" 3960 x 1035 x 1460 mm	164 x 40.75 x 57.5" 4160 x 1035 x 1460 mm	179.75 x 40.75 x 57.5" 4560 x 1035 x 1460 mm
Net Weight	728 lb. 330 kg	838 lb. 380 kg	1059 lb. 480 kg
<i>Belt Dimensions</i>			
Conveyor Belt Width	25.75" 650 mm		
Conveyor Belt Working Height (F)	37.20" 945 mm		
Conveyor Belt Working Length (D)	55.25" 1400 mm	63" 1600 mm	78.75" 2000 mm
<i>Shipping Dimensions</i>			
Shipping Dimensions (L x W x H)	PACKAGE 1 67 x 47.25 x 78.75" 170 x 120 x 200 cm PACKAGE 2 N/A	PACKAGE 1 49.25 x 35.5 x 82.75" 125 x 90 x 210 cm PACKAGE 2 78.75 x 39.5 x 39.5" 200 x 100 x 100 cm	PACKAGE 1 49.25 x 35.5 x 82.75" 125 x 90 x 210 cm PACKAGE 2 78.75 x 39.5 x 39.5" 200 x 100 x 100 cm
Shipping Weight	794 lb 360 kg	904 lb 410 kg	1168.5 lb 530 kg



Specifications are subject to change without notice, as we remain committed to delivering the best equipment possible. Technical specifications and warranty information will be provided in your quote.