



An Industry Leading Cookie and Food Forming Machine!

The Formatic is a wire-release cookie machine capable of processing doughs with large inclusions. The entry-level R1200 can achieve speeds of up to 1,200 revolutions per hour. Their unique drum system also facilitates the production of cookies with a variety of different shapes, as well as varying thicknesses.



Features

- ✓ **Versatility**
This cookie machine is also used to form granola bars, protein bars, scones, biscuits, dog treats, and other baking/confectionery products.
- ✓ **Simple & Easy Operation**
This machine is easy to use and clean!
- ✓ **Accurate Portion Control**
Consistent results (weight and size) with each deposit. Weight can also be modified via thickness adjustments.
- ✓ **Adjustable Thickness**
Deposit thickness ranges from as thin as your product will allow – 0.75 inches (19 mm).
- ✓ **High Volume Production**
Models capable of reaching high volume production
- ✓ **Interchangeable Drums**
Deposit a wide variety of cookie types and shapes with an assortment of drum options.
- ✓ **Manual & Automatic Operation**
Choose between manual, foot pedal-based operation or continuous, automatic depositing.

Available Options

- + **Automatic Wire Cleaning**
Attachment designed to automatically scrape the wire-release mechanism after each deposit.
- + **Automatic Papering**
Attachment designed to automatically place product onto paper with each deposit.
- + **Additional Drums**
Purchase additional drums that can be interchanged for a diverse product lineup.
- + **Various Hopper Sizes**
Larger hoppers are available for large-scale production.
- + **Extended Conveyors**
Longer conveyor belts are available upon request.
- + **Deep Drop Drum**
Achieve deposits with thickness ranging between 0.25 inches (7 mm) – 1.25 inches (32 mm).



180° SINGLE SHAPE



180° DOUBLE SHAPE



Custom Drum Shapes

We can produce custom drums using a wide variety of different shapes within a 4" x 4" (101 x 101 mm) area. This includes the ability to fit multiple shapes on a single drum.



Technical Specifications

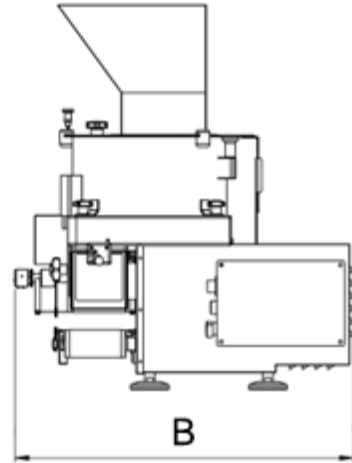
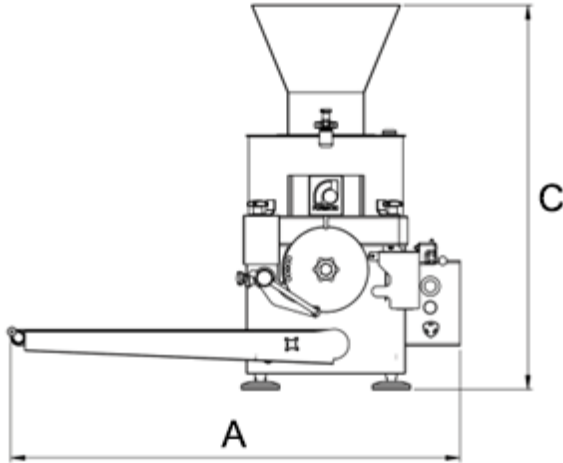
	R1200	R2200	R3000
Electrical Specifications	110 v 1ph 60 Hz	220v 3 ph 60 Hz	
Machine	0.75 kW	1.1 kW	1.5 kW
Hopper Capacity	25 lb. 11.5 kg		45 lb. 20.5 kg
Output (Revolutions/Hour)	1,200	2,200	3,000
Production Rate	1,200 - 2,400/hour	2,200 - 4,400/hour	3,000 - 6,000/hour
Warranty	1 year parts 90 days labor		
Certifications	BISCC & UL		
<i>Standard Dimensions (A x B x C)</i>			
Standard Dimensions	42 x 35 x 36" 1062 x 889 x 915 mm	42 x 36 x 36" 1062 x 915 x 915 mm	45 x 36 x 42" 1143 x 915 x 1062 mm
Net Weight	241 lb. 109 kg	254 lb. 115 kg	267 lb. 121 kg
<i>Shipping Dimensions (L x W x H)</i>			
Shipping Dimensions	36 x 29 x 44"	36 x 29 x 46" 915 x 737 x 1169 mm	
Shipping Weight	265 lb. 120 kg	278 lb. 126 kg	291 lb. 132 kg



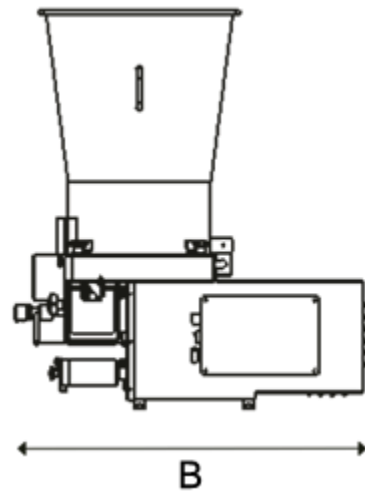
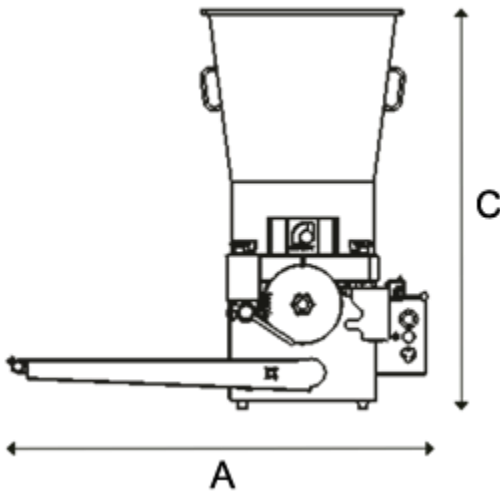


Technical Drawings

R1200 & R2200



R3000



**ACCESS OUR
PRODUCT PAGE & VIDEO**



Specifications are subject to change without notice, as we remain committed to delivering the best equipment possible. Technical specifications and warranty information will be provided in your quote.