



## Reinforced Spiral Mixers

LP Group focuses on engineering and manufacturing the highest quality spiral mixing equipment for bakeries around the globe. Their VIS-R line is a reinforced powerhouse designed to process dough with low hydration levels.

### Features

- ✓ **Straight Breaking Bar**  
*For enhanced durability and reliability.*
- ✓ **Dual Step Transmission**  
*For added reliability and strength when processing stiffer doughs.*
- ✓ **Reinforced Motors**  
*Two reinforced motors that power both the bowl and spiral.*
- ✓ **Suitable For Stiff Doughs**  
*Capable of processing dough with low hydration levels.*
- ✓ **Bowl Drain**  
*Built in bowl drain for easy cleanup!*
- ✓ **Electromechanical Controls**  
*Includes ability to control bowl rotation, jog, mixer speed, and timers. The mixer can also be used in manual, semi-automatic, and automatic modes.*
- ✓ **Bowl Rotation**  
*Ability to reverse bowl rotation.*
- ✓ **Grated Style Bowl Cover**  
*Stainless steel grate style bowl cover.*
- ✓ **Stainless Steel Construction**  
*Designed for durability, ease of cleaning, and overall sanitation.*
- ✓ **2 Speeds**  
*Capable of running at either low or high speeds.*



### Available Options



- ✓ **Transparent Bowl Cover**  
*A durable see-through cover made of clear acrylic (PMMA).*



- ✓ **Electronic Control Panel**  
*In place of the standard electromechanical control panel, this also features an electronic bypass to avoid any service disruptions.*



- ✓ **ABS Plastic Bowl Cover**  
*A non-see through, plastic bowl cover made of ABS plastic.*

### Certifications



BISSC Certification ensures this unit meets all criteria in accordance with the ANSI Z50.2 sanitation standard for bakery equipment design.



## Electrical Specifications

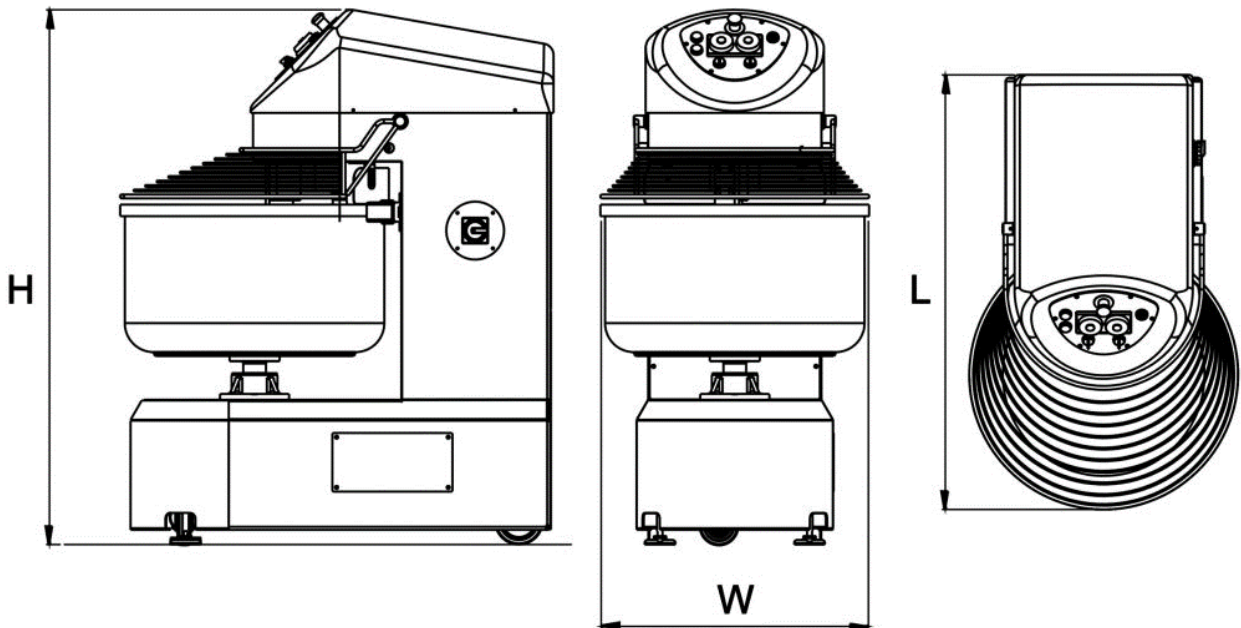
	VIS-R 60	VIS-R 80	VIS-R 120	VIS-R 160	VIS-R 200	VIS-R 250
<b>Voltage</b>	208V   60HZ   3PH	208V   60HZ   3PH	208V   60HZ   3PH	208V   60HZ   3PH	208V   60HZ   3PH	208V   60HZ   3PH
<b>Bowl Power</b>	0.55 kW	0.55 kW	0.55 kW	0.75 kW	0.75 kW	1.1 kW
<b>Spiral Power*</b>	2.06/4.8 kW	2.06/5.2 kW	3.7/6.2 kW	6/12 kW	6/12 kW	6/12 kW

\*Spiral Power indicated in both first and second speed options.

## Production Specifications

	VIS-R 60	VIS-R 80	VIS-R 120	VIS-R 160	VIS-R 200	VIS-R 250
<i>Dough Capacity</i>						
<b>Maximum Dough Capacity</b>	60 kg   132 lb	80 kg   176 lb	120 kg   264 lb	160 kg   352 lb	200 kg   440 lb	250 kg   550 lb
<b>Minimum Dough Capacity</b>	4 kg   9 lb	5 kg   11 lb	8 kg   18 lb	10 kg   22 lb	10 kg   22 lb	12 kg   27 lb
<i>Bowl &amp; Flour Capacity</i>						
<b>Bowl Capacity</b>	117 L   13 gal.	131 L   34 gal.	188 L   49 gal.	266 L   70 gal.	306 L   80 gal.	378 L   99 gal.
<b>Flour Capacity</b>	36 kg   79.5 lb	50 kg   110 lb	75 kg   165 lb	100 kg   220 lb	125 kg   275 lb	150 kg   330.5 lb

## Weights & Dimensions





**LP Group | VIS-R Reinforced Spiral Mixer**

	VIS-R 60	VIS-R 80	VIS-R 120	VIS-R 160	VIS-R 200	VIS-R 250
<i>Standard Dimensions (L x W x H)</i>						
<b>Standard Dimensions</b>	44.3 x 27.5 x 54.5"	44.3 x 27.5 x 54.5"	49.25 x 30.7 x 59.25"	59 x 34.75 x 62.5"	61 x 37 x 62.25"	65 x 41 x 63.5"
	1126 x 698 x 1385 mm	1126 x 698 x 1385 mm	1251 x 779 x 1502 mm	1497 x 879 x 1582 mm	1552 x 940 x 1582 mm	1650 x 1035 x 1612 mm
<b>Net Weight</b>	840 lb	860 lb	1202 lb	1643 lb	1655 lb	1775 lb
	380 kg	390 kg	545 kg	745 kg	755 kg	805 kg
<i>Shipping Dimensions (L x W x H)</i>						
<b>Shipping Dimensions</b>	55 x 35 x 63"	55 x 35 x 63"	56 x 36 x 70"	67 x 44 x 74"	67 x 44 x 74"	73 x 48 x 74"
	1397 x 889 x 1066 mm	1397 x 889 x 1066 mm	1422 x 914 x 1778 mm	1700 x 1100 x 1870 mm	1700 x 1100 x 1870 mm	1854 x 1219 x 1879 mm
<b>Shipping Weight</b>	1005 lb	1015 lb	1400 lb	1841 lb	1860 lb	1995 lb
	456 kg	460 kg	635 kg	835 kg	843 kg	905 kg

**Notes:**

---

---

---

---

---

---

---

---

---

---

---

---

---

---

---

---

---

---

---

---

---

---

---

---

---

*Specifications are subject to change without notice, as we remain committed to delivering the best equipment possible. Technical specifications and warranty information will be provided in your quote.*