



Reinforced, Overhead-Tilting Bowl Lift

LP Group focuses on engineering and manufacturing the highest quality spiral mixing equipment for bakeries around the globe. The THOR Bowl-Lift features an overhead, backward tilting discharge system designed for use with LUX bowl trolleys.

Features

- ✓ **Overhead Discharge**
Choose from either a bench/table or hopper height.
- ✓ **Compatible with LUX Series Bowls**
This lift is compatible with LUX Series bowl trollies including LUX-R 80, 120, 160, 200, & 300.
- ✓ **Hydraulic Lift**
Bowl is lowered and raised via a hydraulic lift.
- ✓ **Stainless Steel Construction**
Designed for durability, ease of cleaning, and overall sanitation. Also equipped with stabilizing feet designed to help anchor the machine to the ground.
- ✓ **Electromechanical Controls**
Includes the ability to control bowl rotation for easier discharge. The control panel is located along the side of the machine for ease of access and maintenance.



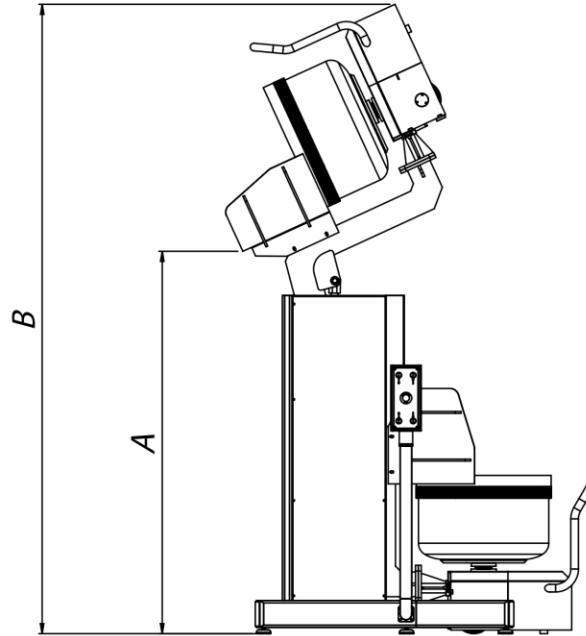
Configuration Options

The THOR can be configured with the following discharge options (must be specified at the time of order):

- ✓ **THOR 1400**
Designed to discharge at bench/table height of 60.75 in. | 1540 mm.
- ✓ **THOR 1900**
Designed to discharge at hopper/machine height of 80.75 in. | 2050 mm.



Technical Specifications



| | THOR 1400 | THOR 1900 |
|---------------------------------|--|-----------------------|
| Technical Specifications | | |
| Electrical | 208V 60 Hz 3 ph | |
| Hydraulic Power | 1.5 kW | |
| Discharge Height | 60.75" 1540 mm | 80.75" 2050 mm |
| Bowl Compatibility | LUX-R Bowls (80, 120, 160, 200, & 300) | |
| Certifications | CE (UL Components) | |
| Weights & Dimensions | | |
| Standard Dimensions (L x W x H) | 54.5 x 86.75 x 118.25" | 54.5 x 86.75 x 138" |
| | 1380 x 2200 x 3000 mm | 1380 x 2200 x 3500 mm |
| Shipping Dimensions (L x W x H) | 73 x 69 x 61" | 73 x 69 x 81" |
| | 185 x 175 x 155 cm | 185 x 175 x 205 cm |
| Net Weight | 1444 lb. 655 kg | 1775 lb. 805 kg |
| Shipping Weight | 1665 lb. 755 kg | 2062 lb. 935 kg |

Specifications are subject to change without notice, as we remain committed to delivering the best equipment possible. Technical specifications and warranty information will be provided in your quote.