



RX-2 egg breaker

Description

Capacity: 13 000 eggs/hour

Replaces: 28 people

Power supply: 1 kW 400 V 3/N/PE 50/60 Hz
1 kW 230 V 3/N/PE 50/60 Hz

Dimensions: 3900x970x1550 mm

Minimal workspace: 4500x2500 mm

The egg breaker imitates the work of human hands by cracking the eggshells with the use of special knives. The machine's high capacity is attributed to the use of a rotating knife mechanism. After being cracked open, eggs slide down a separator, where yolks are separated from egg whites. This most hygienic egg breaking method is an innovation by OVO-TECH. After completion of the job, the machine can be closed and cleaned with the use of a CIP system.

The RX-2 egg breaker breaks eggs using two rows of highly specialized knife mechanisms. Eggs are automatically fed into the machine from a belt feeder. Yolk and white separation is accomplished with the use of a single, compact size separator.

The machine is made out of stainless steel EN 1.4301 (AISI 304).



Compressed air: n/a

Water: water from client's installation

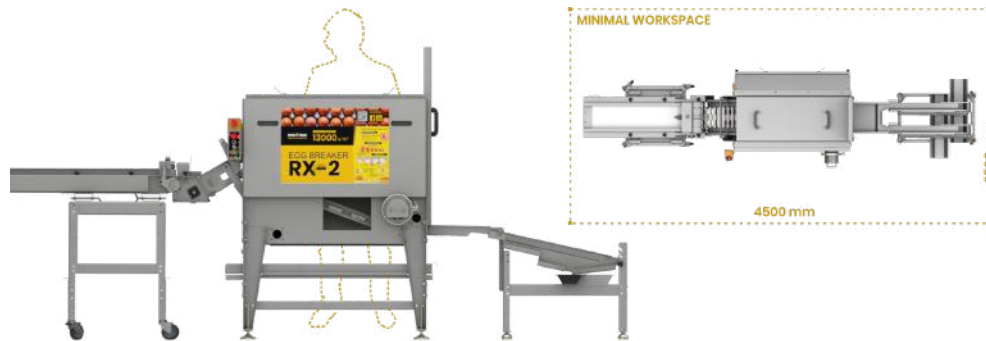
Drain: n/a



Weight: 415 kg

Operated by: 2-3 persons

Compatibility: 2xVEL-30, MX-2, UX-2,
2xPS-1, 2xFS



OVO-TECH HQ

Boczna 43
27-200 Starachowice
Poland, European Union

OVO-TECH USA

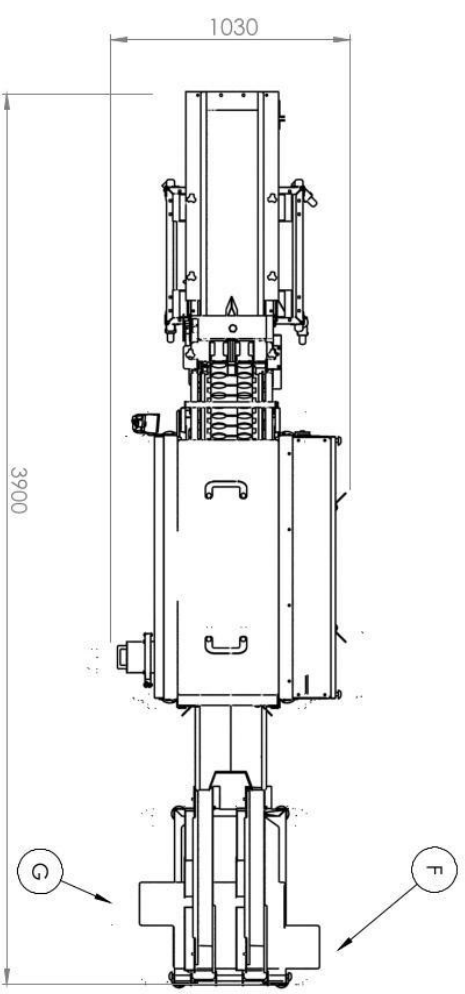
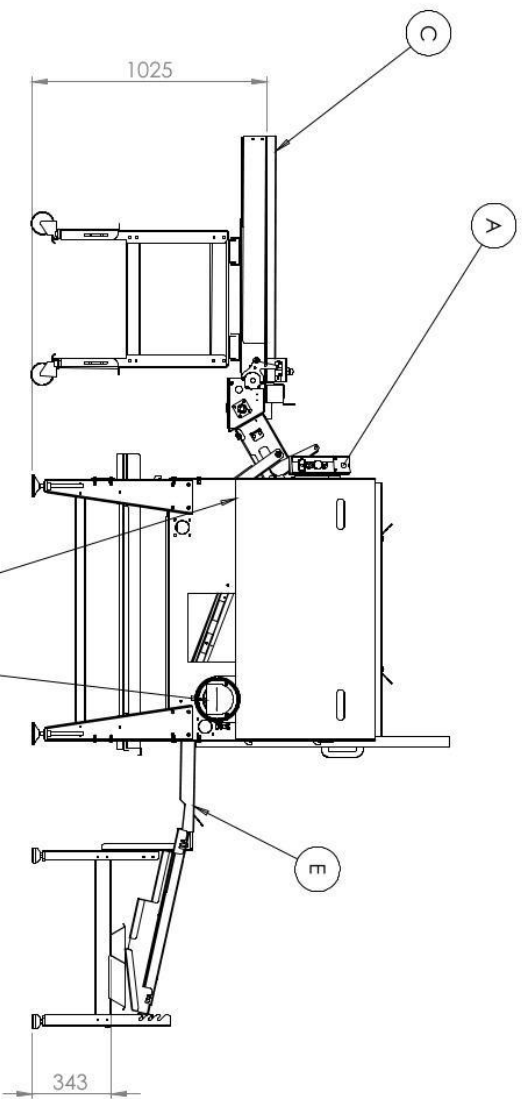
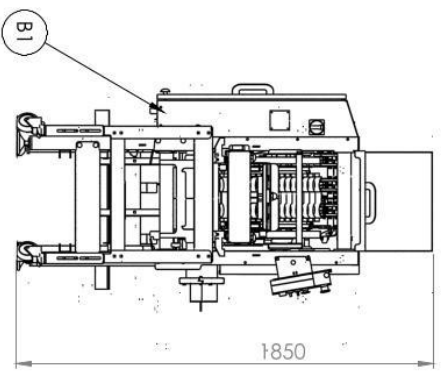
1680 Michigan Avenue, Suite 700
Miami Beach, FL 33139
United States

Sales

Email: sales@egg-breakers.com
Tel (Int'l): +48 792 333 900
Tel (US): +1 305 777 2227

Social media





RX2 egg breaker

Typical workplaces:	egg breaking facilities, bakeries, confectioneries, pasta making companies
Capacity:	13000 eggs/hour
Power supply:	1 kW 230 V 3~/N/PE 50/60 Hz 1 kW 400 V 3~/N/PE 50/60 Hz
Water connection:	Input 1" output 2"
Compressed air connection:	
Minimal workspace:	4500x2500 mm
Dimensions:	3650x970x1550
Opened by:	1-person
Minimal wall clearance:	the rear side - 600 mm
Additional information:	N/A
A	control panel
B1/B2	connectors electrical/water
C	eggs input
D	eggs/peels outlet
E	egg yolks outlet
F	egg yolks outlet
G	egg white outlet

OVO TECH

EGG PROCESSING MACHINES

All rights reserved. No part of this document may be reproduced, stored in a retrieval system, or transmitted in any form or by any means, electronic, mechanical, photocopying, recording, or by any information storage and retrieval system, without OVO TECH's written permission is strictly prohibited.