

RX nano egg breaker

Description

Capacity: 3400 eggs/hour

Replaces: 7 people

Power supply: 1 kW 230 V 1/N/PE 50/60 Hz
1 kW 110 V 1/N/PE 50/60 Hz

Dimensions: 49x39x49 in.

Minimal workspace: 138x98 in.

Weight: 265 lbs

Operated by: 1-2 persons

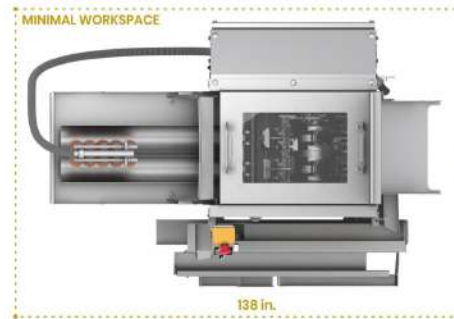
Compressed air: n/a

Water: water from client's installation

Drain: n/a

Compatibility: VEL-10, UZS

The RX nano egg breaker uses a gravitational, self-pacing feeder with a system of specially designed rollers to transport the eggs into its breaking section. The machine's high performance is achieved thanks to the use of the best-in-class, innovative breaking mechanisms. The machine breaks the eggshells with the use of specially designed knives, which imitate the work of human hands. This most hygienic egg breaking method is an innovation by OVO-TECH. Next, the eggs go through a quality control tray. Afterwards, they slide down a separator ramp where yolks are separated from whites. The volume of the eggshells remaining after breaking is reduced by our universal eggshell crusher, which reduces their volume by 95%. After work completion, the machine can be cleaned with a built-in CIP system. The machine is made out of stainless steel EN 1.4301 (AISI 304).



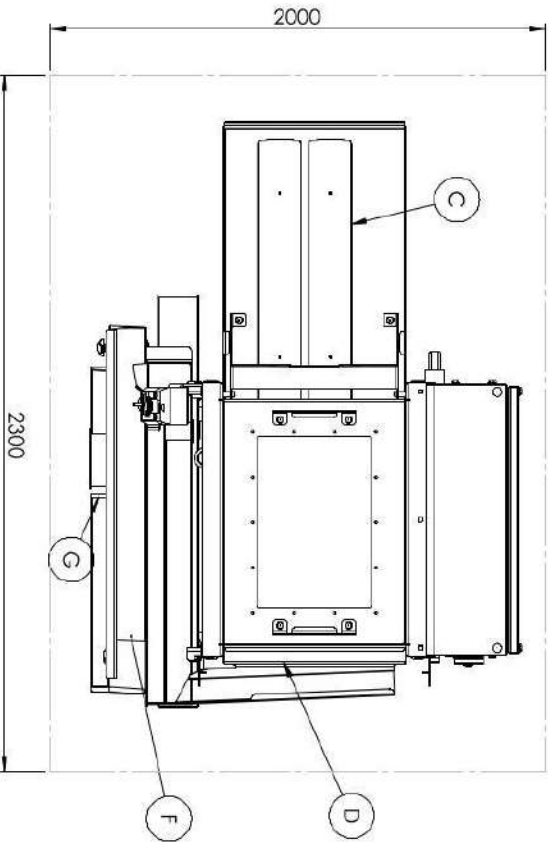
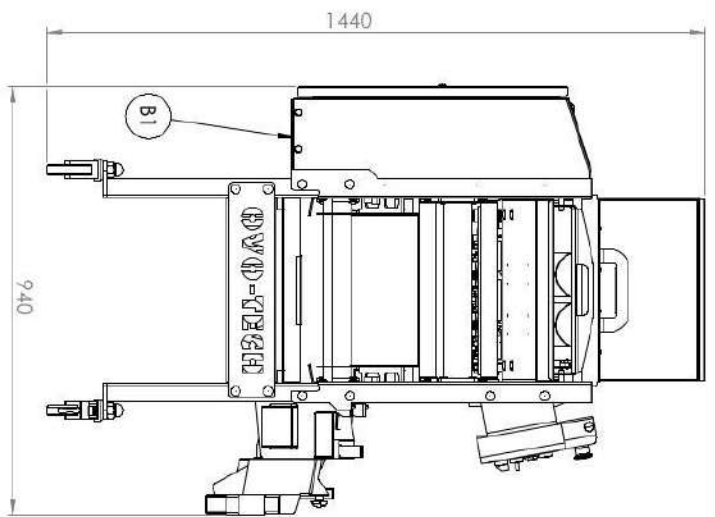
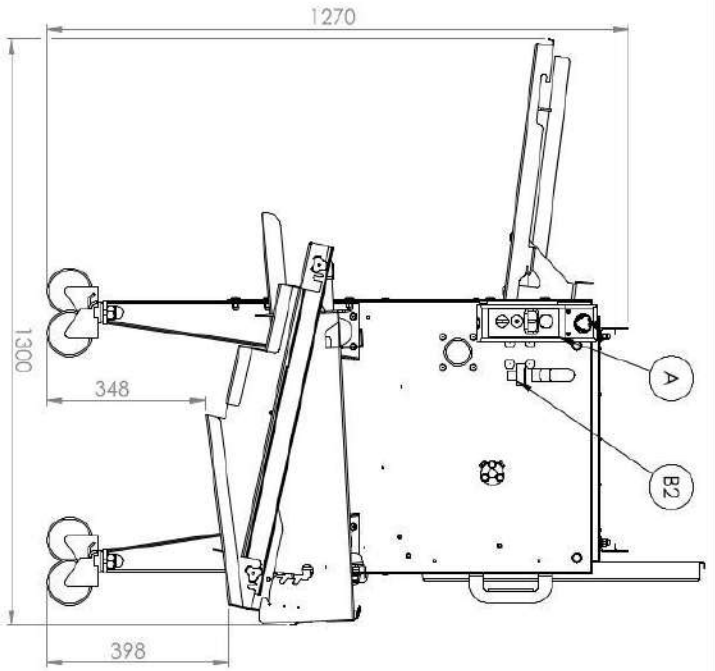
OVO-TECH HQ
Boczna 43
27-200 Starachowice
Poland, European Union

OVO-TECH USA
1680 Michigan Avenue, Suite 700
Miami Beach, FL 33139
United States

Sales
Email: sales@egg-breakers.com
Tel (Int'l): +48 792 333 900
Tel (US): +1 305 777 2227

Social media

DATE	AUTHOR
07.09.2022	D1
PROJECT	
RX-NANO	



RX - NANO

Typical workplace:	egg breaking facilities, bakeries, confectioneries, pasta making companies
Capacity:	max.3 t/08 eggs/hour
Power supply:	3kW 230V / 17kW/08 50/60 Hz 1kW 110V / 17kW/08 50/60 Hz
Water connection:	rapid - top connection
Compressed air connection:	
Minimum workspace:	2300 x 2000 mm
Dimensions:	1270 x 940 x 1300 1440 x 940 x 1300
Operated by:	1-3 persons
Minimal wall clearance:	the rear side - 600 mm
Additional information:	N/A
A	control panel
B1/B2	connections: electrical/water
C	eggs input
D	eggs output
E	egg waste outlet
F	egg waste outlet
G	egg waste outlet

OVO TECH

EGG PROCESSING MACHINES

All rights reserved

Any reproduction or distribution of this document is the sole property of OVO TECH

Approval of the product is required for any use of the product without OVO TECH's explicit permission. OVO TECH is not responsible for any damage or injury caused by the use of the product.