



UDTJ-500 centrifugal egg cracker

Description

Capacity: 120 000 eggs/hour or 250 000 eggshells/hour

Replaces: 90 people

Power supply: 5.5 kW 400 V 3/N/PE 50/60 Hz
5.5 kW 230 V 3/N/PE 50/60 Hz

Dimensions: 1051x867x1210 mm

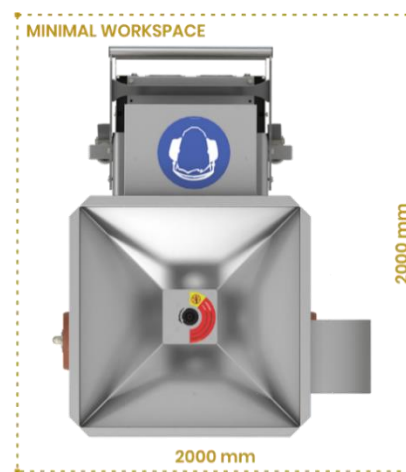
Minimal workspace: 2000x2000 mm

Weight: 265 kg

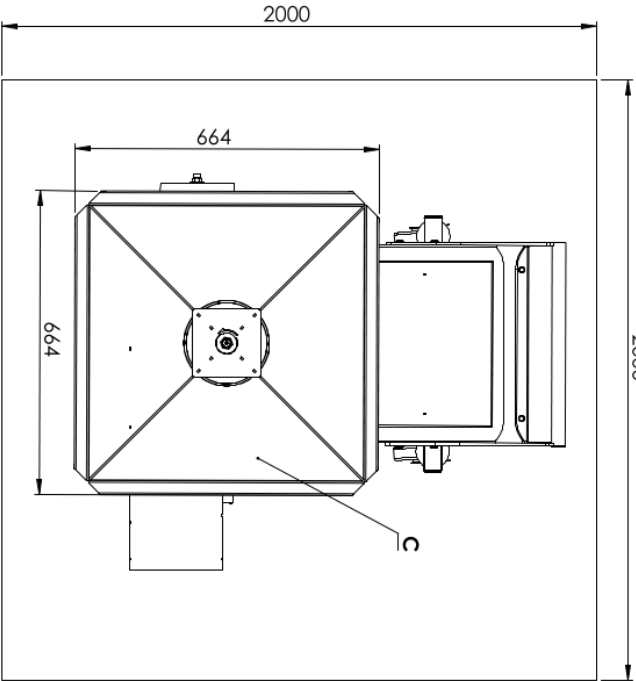
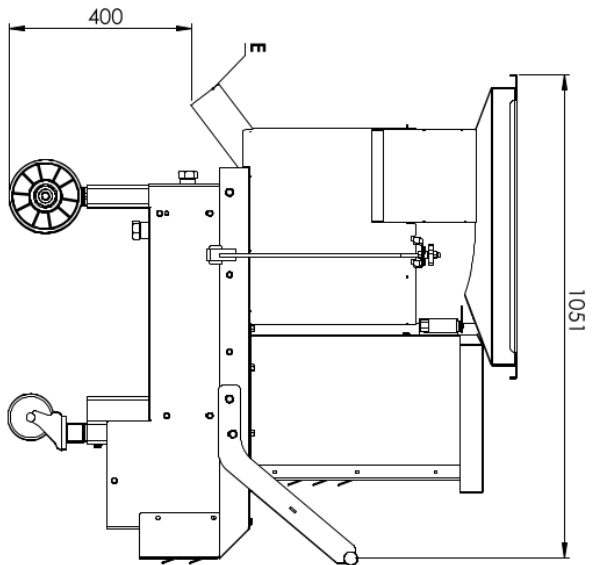
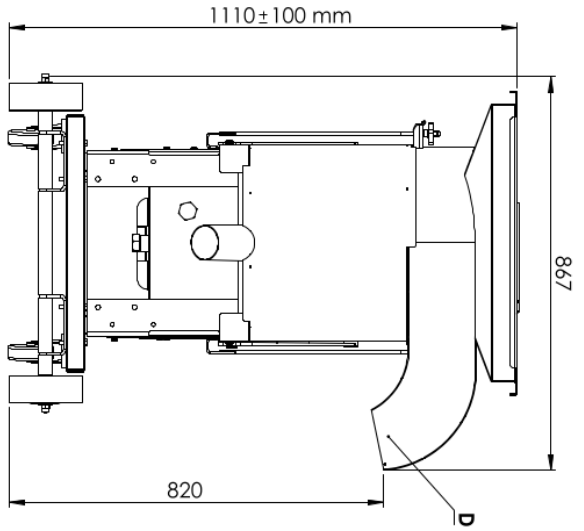
Operated by: 2 persons

Compatibility: MT-1/3/6/8,
UVC-1/3/6/8, FS

The UDTJ-500 is heavy duty, automatic centrifugal egg cracker used for production of fresh liquid egg and drying of eggshells obtained from hand or machine breaking. After filling the hopper, the eggs are cracked and the eggshells are filtered out with the use of a special rotating filter with a mesh size of 0.8 mm. Clean egg liquid is then transported into a placed container and the eggshells are automatically removed from the machine. The machine is made out of stainless steel EN 1.4301 (AISI 304).



DATE
20.01.2021
PROJECT
DOK-LAY-EN-1.K2.1
AUTHOR
ML



EGG PROCESSING MACHINES
All rights reserved
The design and technical specifications
is the sole property of OVO-TECH.
Any use of this product, including
reproduction, is strictly prohibited
without O's written permission & strictly
prohibited.

UDTJ-500 centrifugal egg cracker

Typical workplaces:	egg breaking facilities, bakeries, confectioneries, pasta making companies
Capacity:	120000 eggs/hour
Power supply:	5.5 kW/400 V 3/N/PE 50/60 Hz 5.5 kW/230 V 3/N/PE 50/60 Hz
Water connection:	N/A
Compressed air connection:	N/A
Minimal workspace:	2000 x 2000 mm
Dimensions:	1051 x 867 x 1210 mm
Operated by:	min. 2 persons
Minimal wall clearance:	the rear side - 680 mm
Additional instructions:	N/A
A B1 B3 C D E F G	control panel connection: electrical/water/air eggs input eggs/whites outlet egg yolks outlet egg white outlet