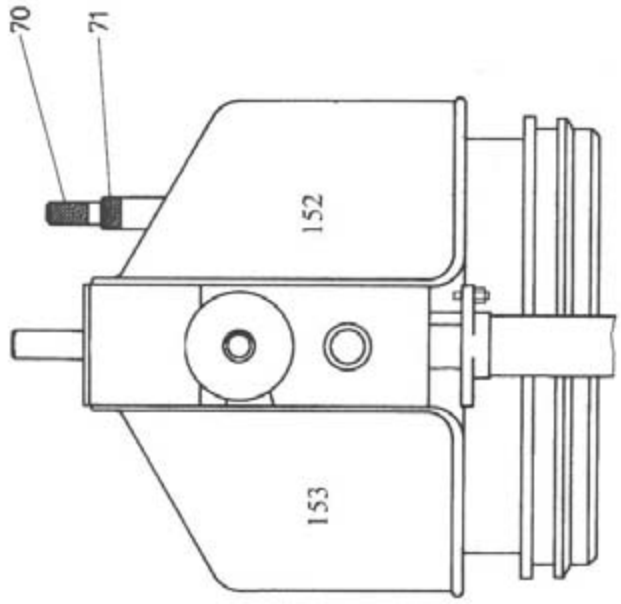
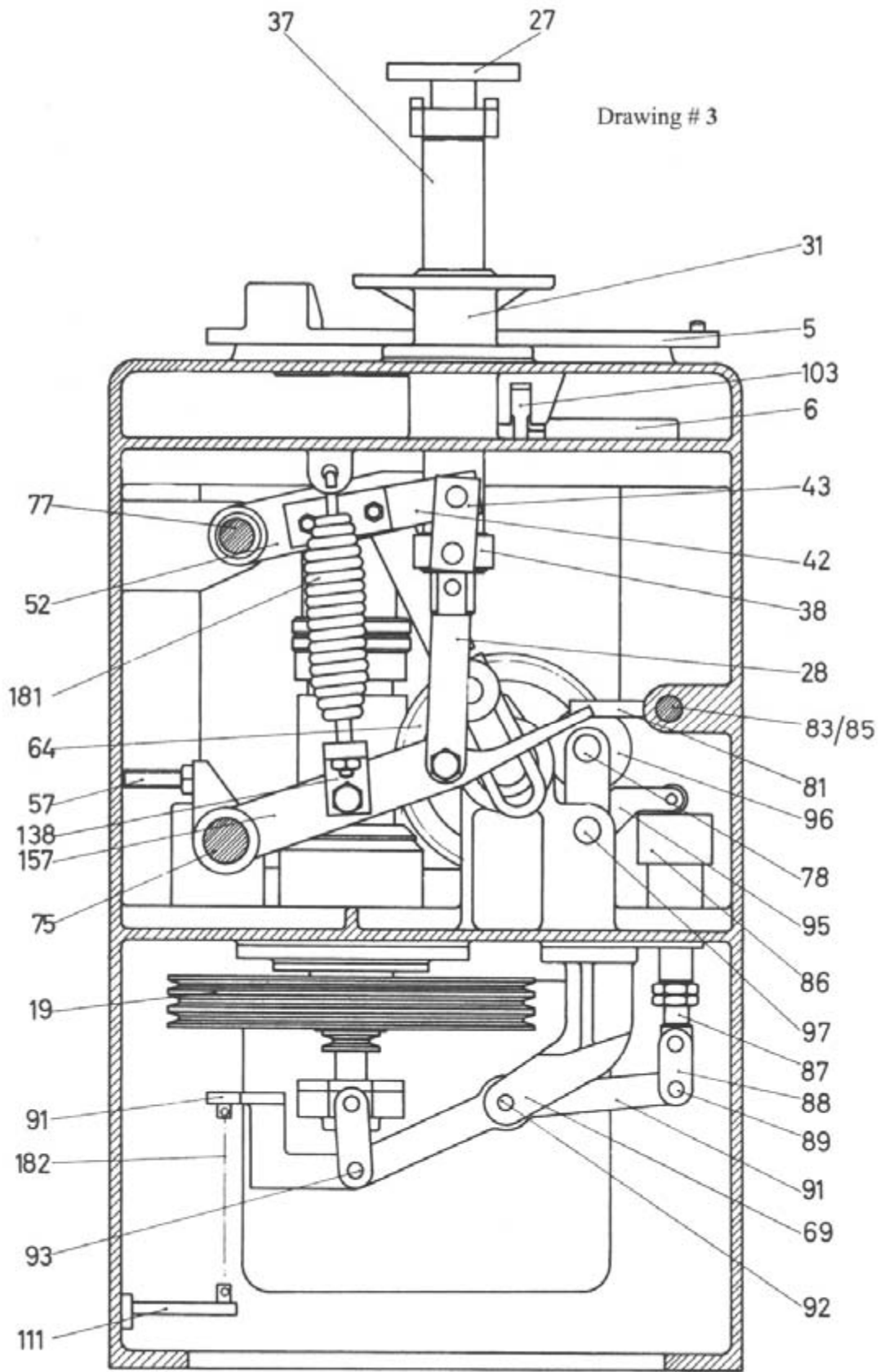


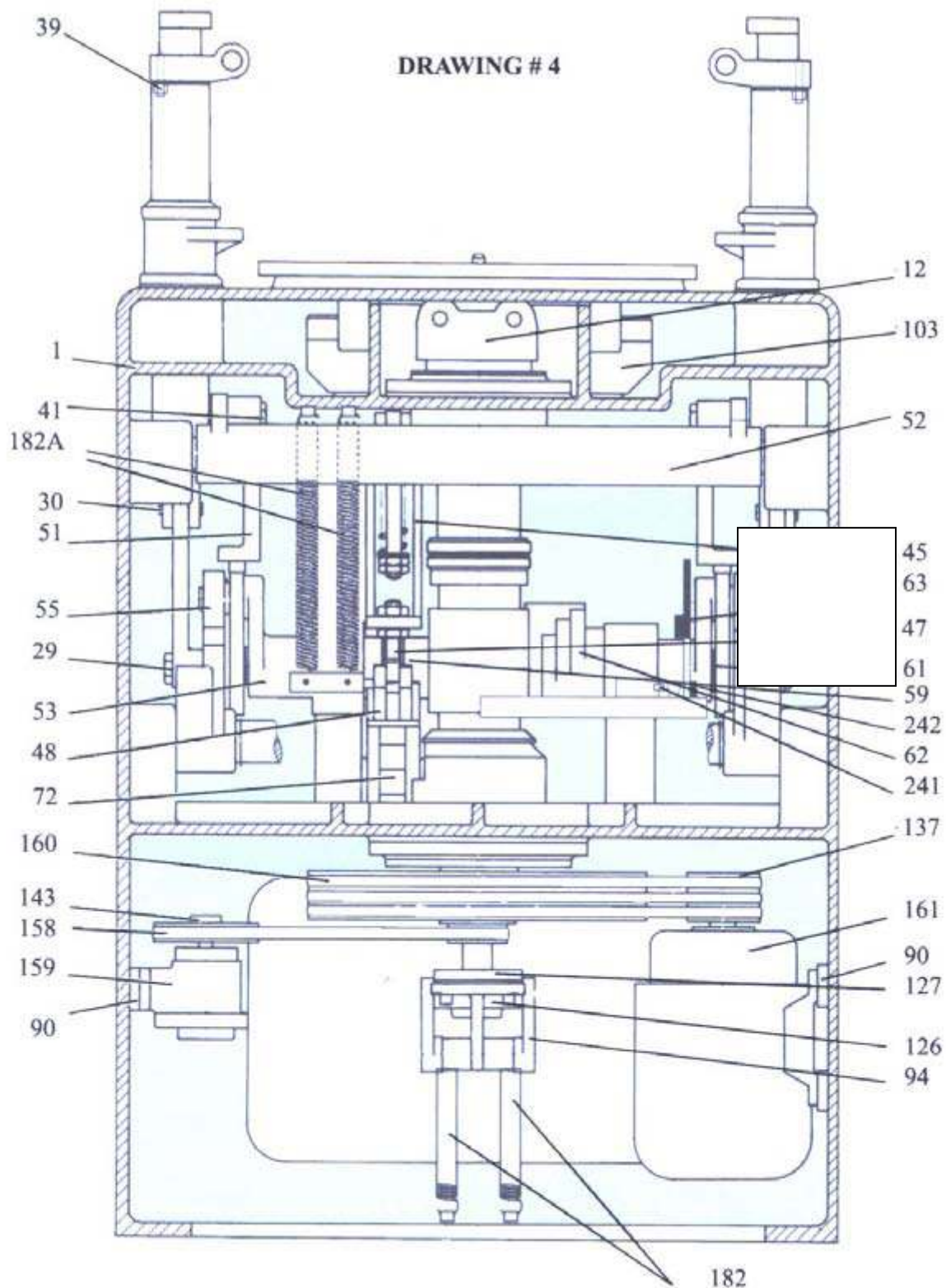
Drawing # 1

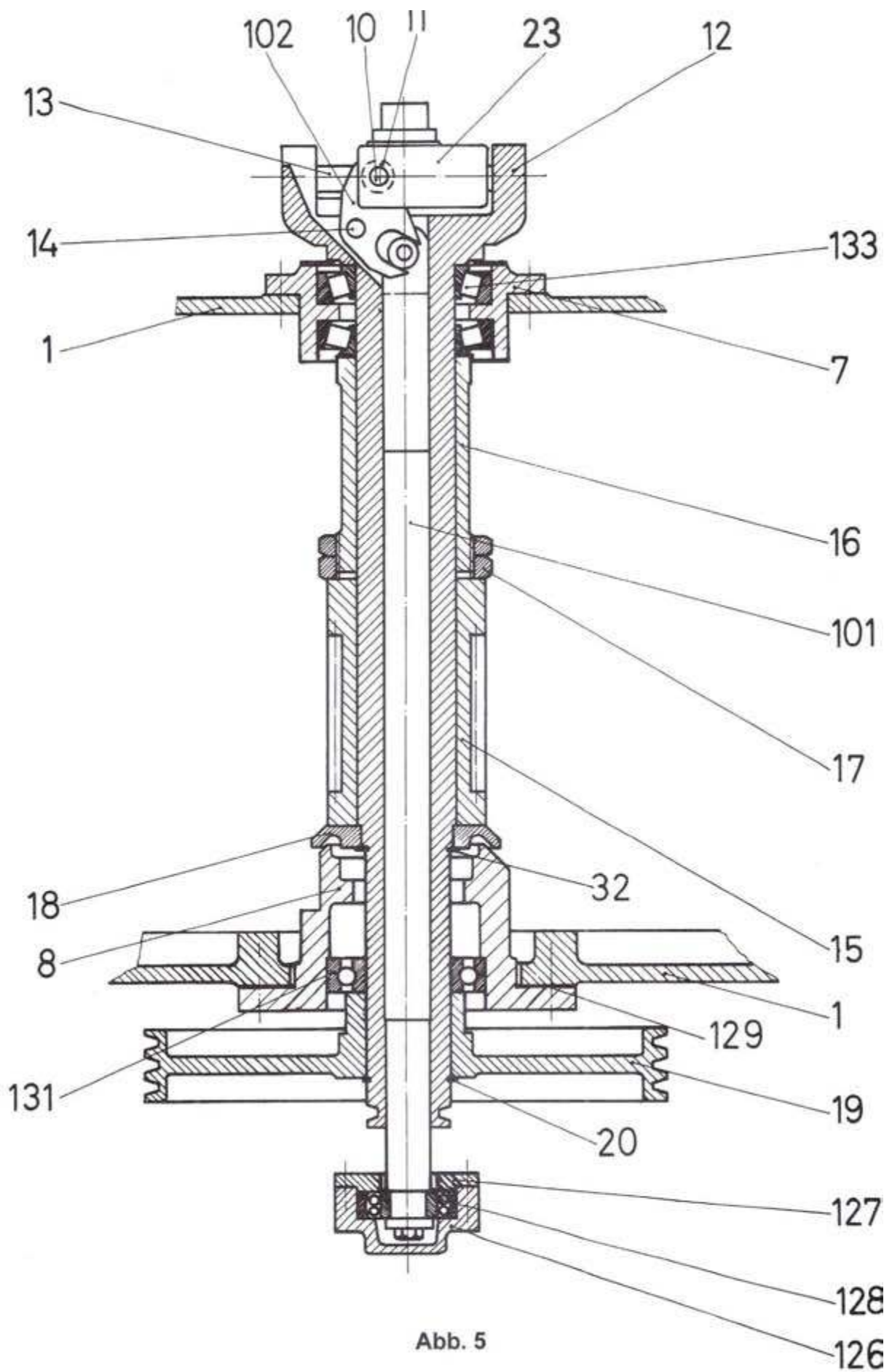


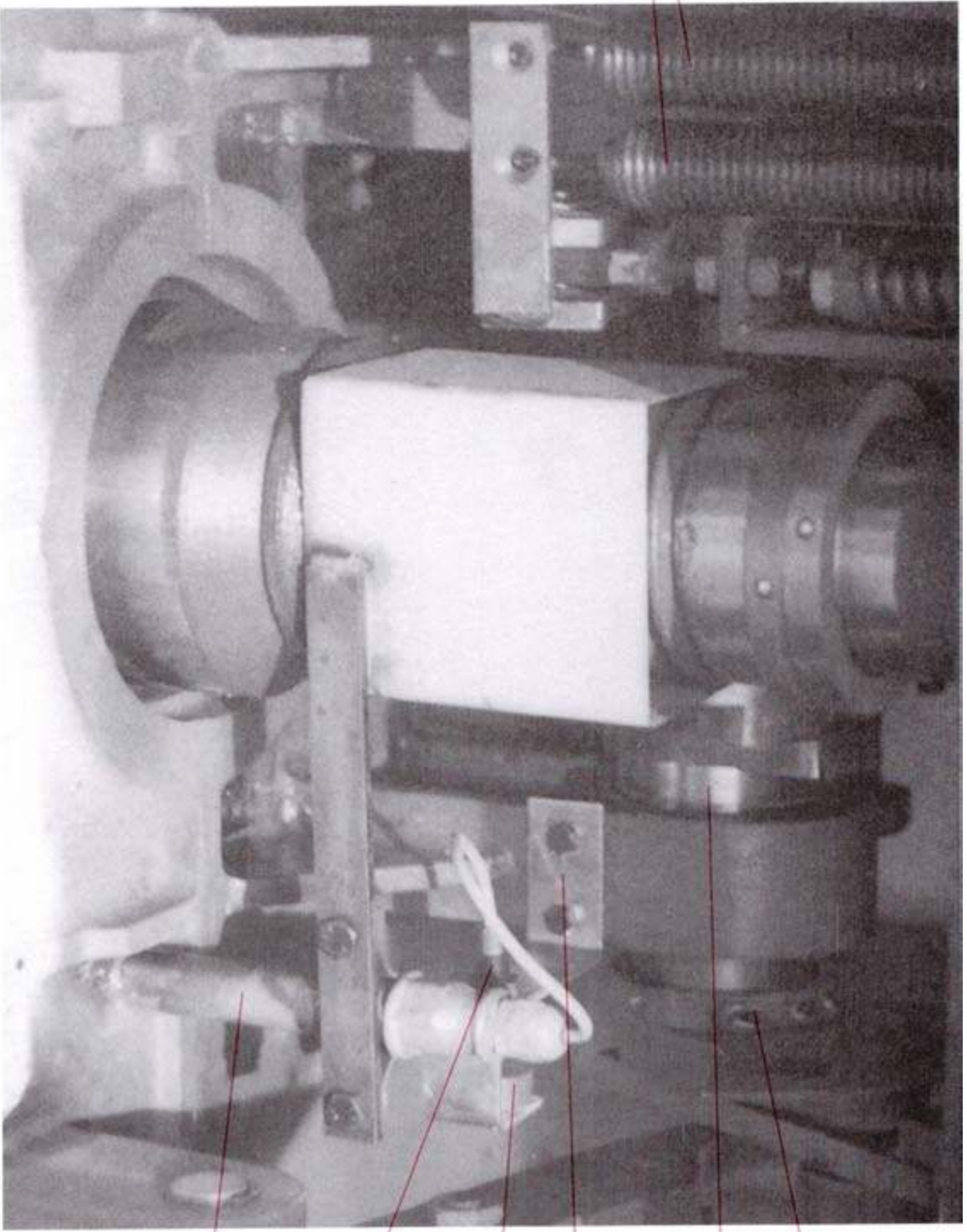
Drawing # 2

After unscrewing part no. 125a four times the knife can be taken out when head is turned. For mounting, line up the red markings on the piston knife









182A

63

62

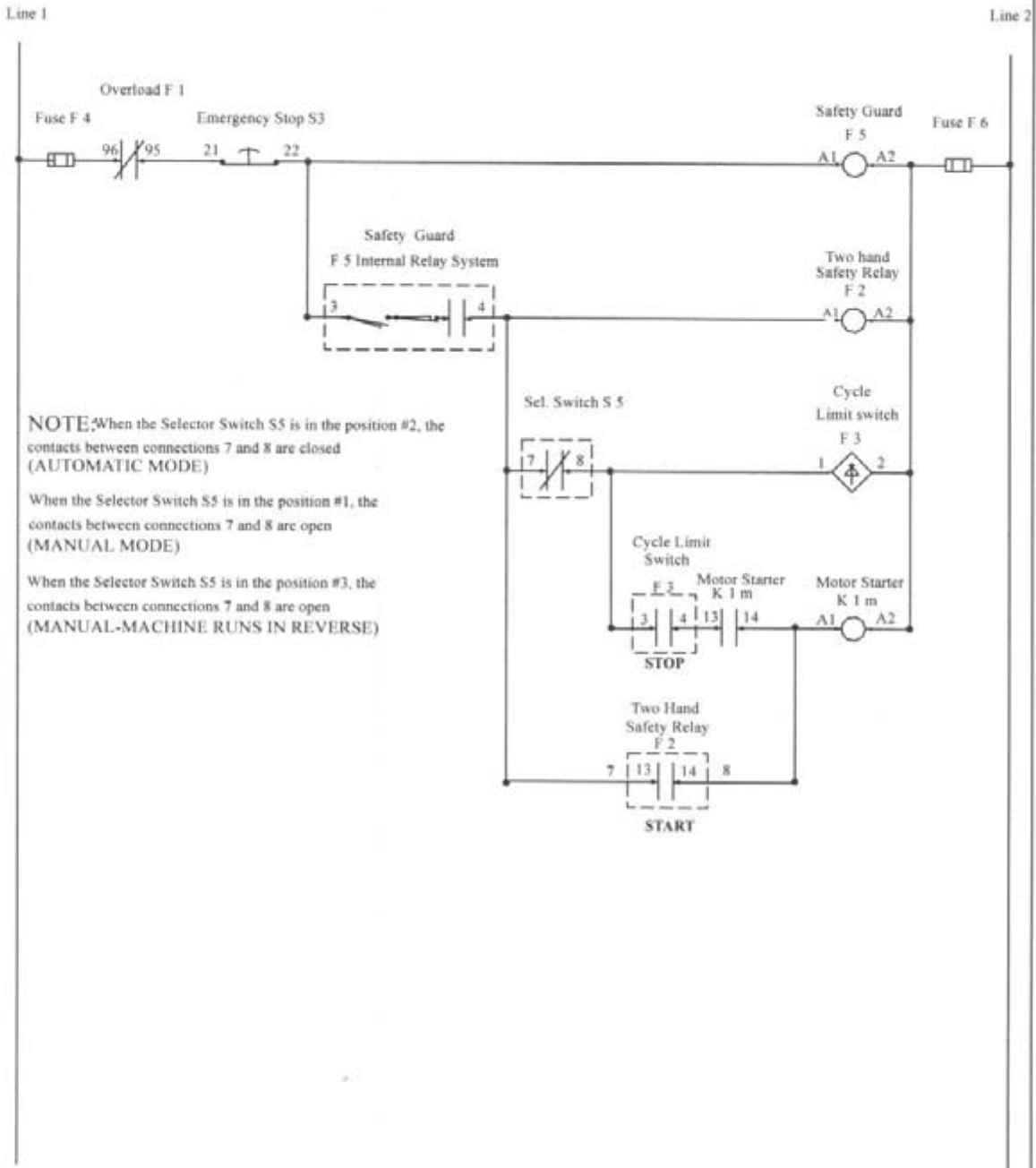
185

242

241

167

Abb. 6



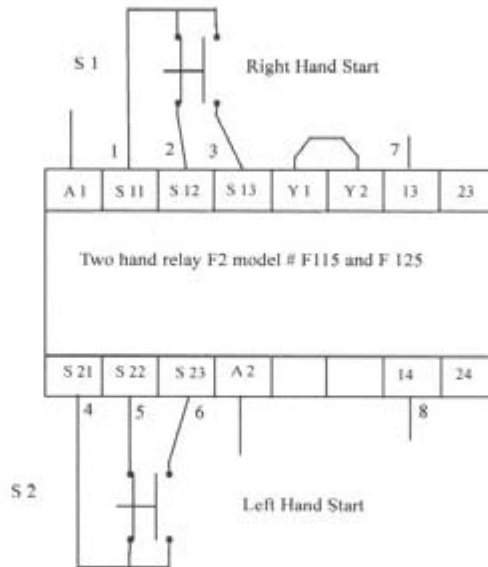
ERIKA RECORD LLC
 20 Vanderhoof Avenue
 Rockaway, New Jersey 07866

ELECTRICAL SCHEMATIC DIAGRAM
 Automatic Divider/Rounder Control wiring

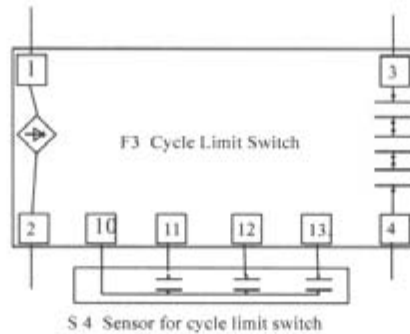
Date: July 7th. 2003
 Drawing: H. Roerig
 Check: Moennecke
 U.S.A.: Rucker

PAGE 1 OF 3

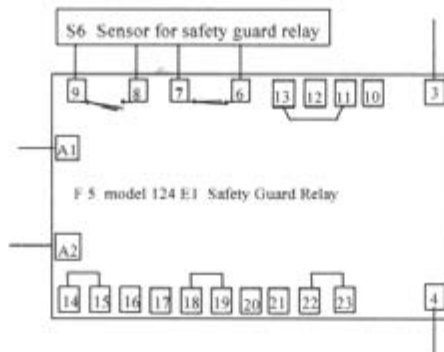
ELA - 29



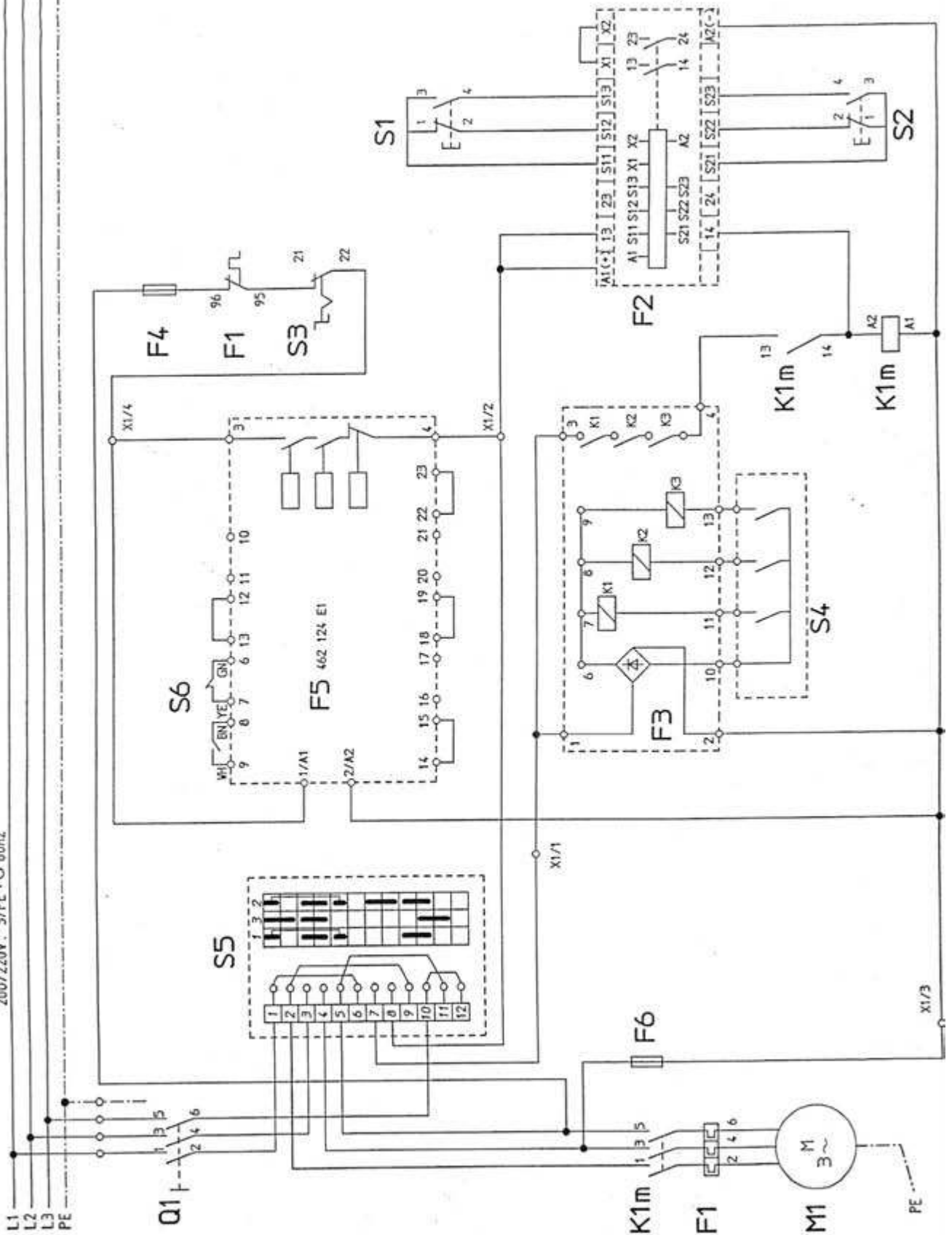
The two hand relays, # F115 and # F125 are interchangeable, the only difference is the jumper
 In the # F115 the jumpers go between X 1 and X 2 , and in the # 125 the jumpers go between Y 1 and Y 2.



S 4 Sensor for cycle limit switch



200/220V, 3/PE ~ 60Hz



Vollautomat

Schaltplan

Page 3 of 3

Datum 27.11.2000
Bearb. H. Rörig
Geprüft Männecke

ERIKA
DEKORD

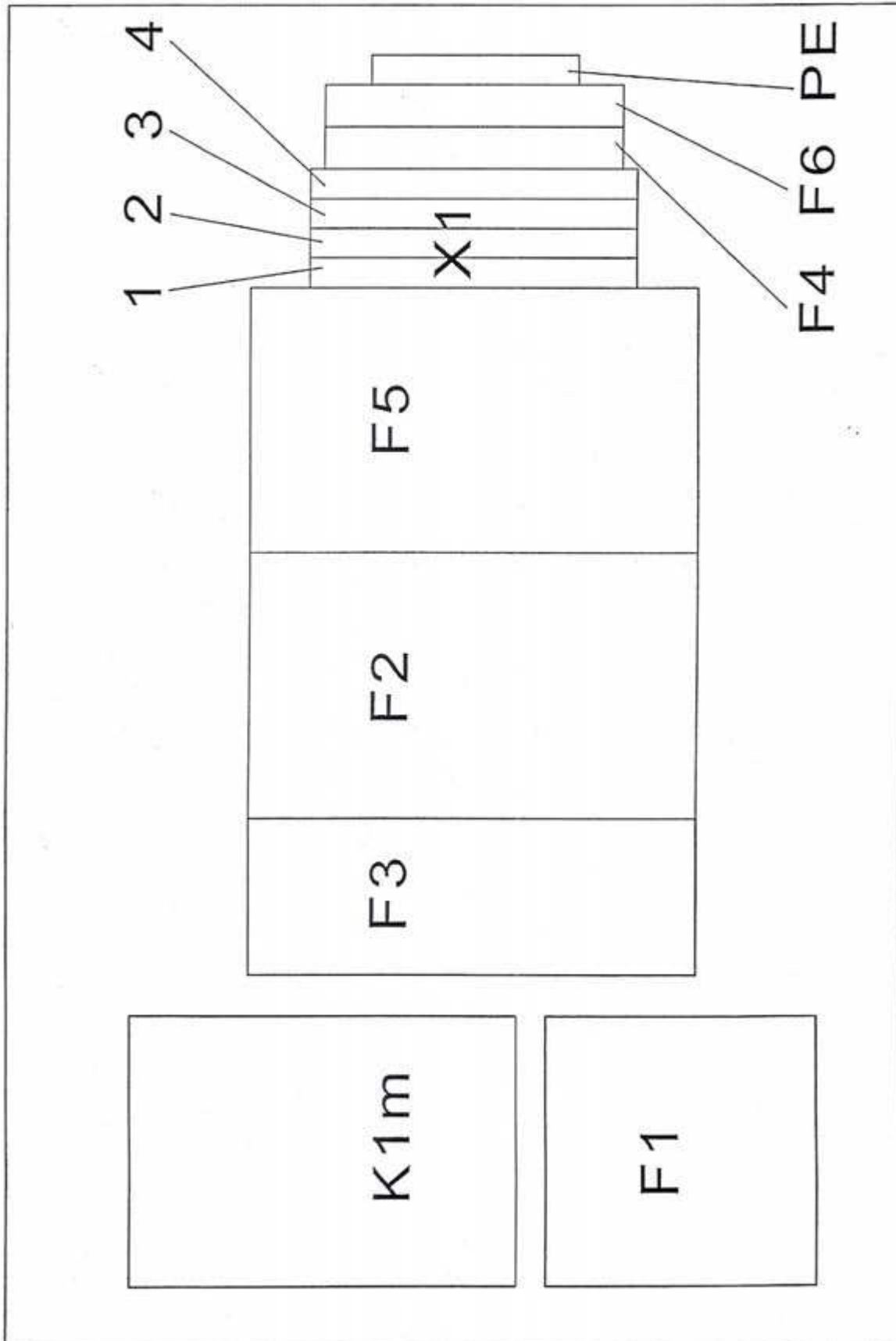
KARL SCHMIDT GMBH

ELA - 29

Diagram No. 29.1

	A66-300	Box
	A66-401	Panel (Standard)
X1	A66-210	Clam (1-4)
Q1	A66-402	Main Switch
K1m	A66-202	Contactor
F1	A66-205	Relay
F2	A66-207C	Timing Relay
S3	A66-408	Stop Button
S4	A66-241	Sensor
S1	A66-447	Start Button
S2	A66-447	Start Button
S5	A66-403	Selector Switch
F3	A66-240	Protection Switch
	A66-242	Magnet
	A66-217	Box
F4/F6	A66-307	Fuse Clamp
	A66-308	Fuse Holder
	A66-309	Fuse
	A66-310	Conductor Clamp
F5	A66-240A	Prot. Switch
S6	A66-241A	Sensor
	A66-242A	Magnet

Diagramm Nr. 29



Spare Part List

A66-0001	Housing
A66-0002	Arch
A66-0003	Knife Support
A66-0004	Ring Support
A66-0005	Pressure Plate
A66-0006	Sliding Piece
A66-0007	Flange Bearing
A66-0008	Bearing
A66-0009	Spring
A66-0010	Shaft
A66-0011	Roller
A66-0012	Bushing
A66-0012C	Bushing Cpl.
A66-0013	Pin
A66-0014	Roll Pin
A66-0015	Worm Gear
A66-0016	Spacer
A66-0017	Lock Nut
A66-0018	Oil Shield
A66-0019	V-Belt Sheave
A66-0020	Ring
A66-0021	Bushing
A66-0022	Pressure Spindle
A66-0023	Bearing Block
A66-0024	Flange
A66-0025	Guide Pin
A66-026L	Bracket Left
A66-026R	Bracket Right
A66-0027	Push Rod
A66-0028	Arm
A66-029L	Screw Left
A66-029R	Screw Right
A66-0030	Bolt
A66-0031	Bushing House
A66-0032	Snap Ring
A66-0035	Swivel Arm
A66-036L	Connection Rod Left
A66-036R	Connection Rod Right
A66-0037	Column
A66-0038	Column Housing
A66-0039	Screw
A66-0040	Pin F. Knife Support
A66-041L	Screw Left
A66-041R	Screw Right
A66-0042	Fork
A66-0043	Connection Rod
A66-0044	Shaft
A66-0045	Knife Locking
A66-046L	Arch Left
A66-046R	Arch Right
A66-0048	Fork
A66-0049	Bolt
A66-0050	Roller
A66-0051	Pick-up Lever
A66-0052	Main Shaft
A66-053L	Rock Arm Left
A66-053R	Rock Arm Right
A66-0055	Roller
A66-0057	Screw
A66-0059	Cutting Arm
A66-0061	Guide Bar
A66-0062	Rounding Cam
A66-0063	Pilot Disk
A66-0064	Bull Gear

A66-0065	Bushing
A66-0066	Pin
A66-0067	Pin
A66-0068	Knurled Lock Nut
A66-0069	Bearing Housing
A66-0070	Adjustment Screw
A66-0071	Lock Nut
A66-0072	Shaft
A66-0074	Washer
A66-0075	Shaft
A66-0077	Shaft with Retain Ring
A66-0078	Shaft
A66-0081	Switch Arm
A66-0083	Switch Rod
A66-0085	Knob for Push Rod
A66-0086	Push Rod
A66-0087	Set Screw
A66-0088	Latch
A66-0089	Pin F. Lever Rounder
A66-0090	Motor Support
A66-090A	Pump Support
A66-0091	Lever Rounder
A66-0092	Pin F. Bearing Housing
A66-0093	Pin F. Bearing Housing
A66-0094	Arm
A66-0095	Push Lever
A66-0096	Roller
A66-0097	Pin F. Bush Lever
A66-0098	Pin
A66-0101	Push Rod
A66-0102	Push Rod
A66-0103	Ex. Housing Cpl.
A66-0111	Spring Bracket
A66-0115	Hook Screw Type
A66-0116	Piston Knife Head Assy & Flange
A66-0124	Moulding Ring Type
A66-0125	Screw
A66-0126	Bearing Housing
A66-0127	Cover
A66-0128	Swivel Bear
A66-0129	Seal
A66-0137	Pulley F. Motor
A66-0138	Spring Bracket
A66-0143	V-Belt Pulley
A66-0152	Cover Front
A66-0153	Cover Rear
A66-157L	Pressure Arm Left
A66-157R	Pressure Arm Right
A66-0158	V-Belt
A66-0160	V-Belt Set
A66-0161	Motor
A66-0162	Cleaning Brush
A66-0167	Cable Guide
A66-0173	Screw
A66-0174	Screw
A66-0176	Bracket
A66-0177	Lever to Engage Knives
A66-0179	Spring F. Pressure Regulator
A66-0180	Spring F. Knives
A66-0181	Spring F. rounding Chamber
A66-0182	Spring
A66-182A	Spring F. Cutting Arm
A66-0185	Bracket F. Sensor
A66-0250	Safety Guard