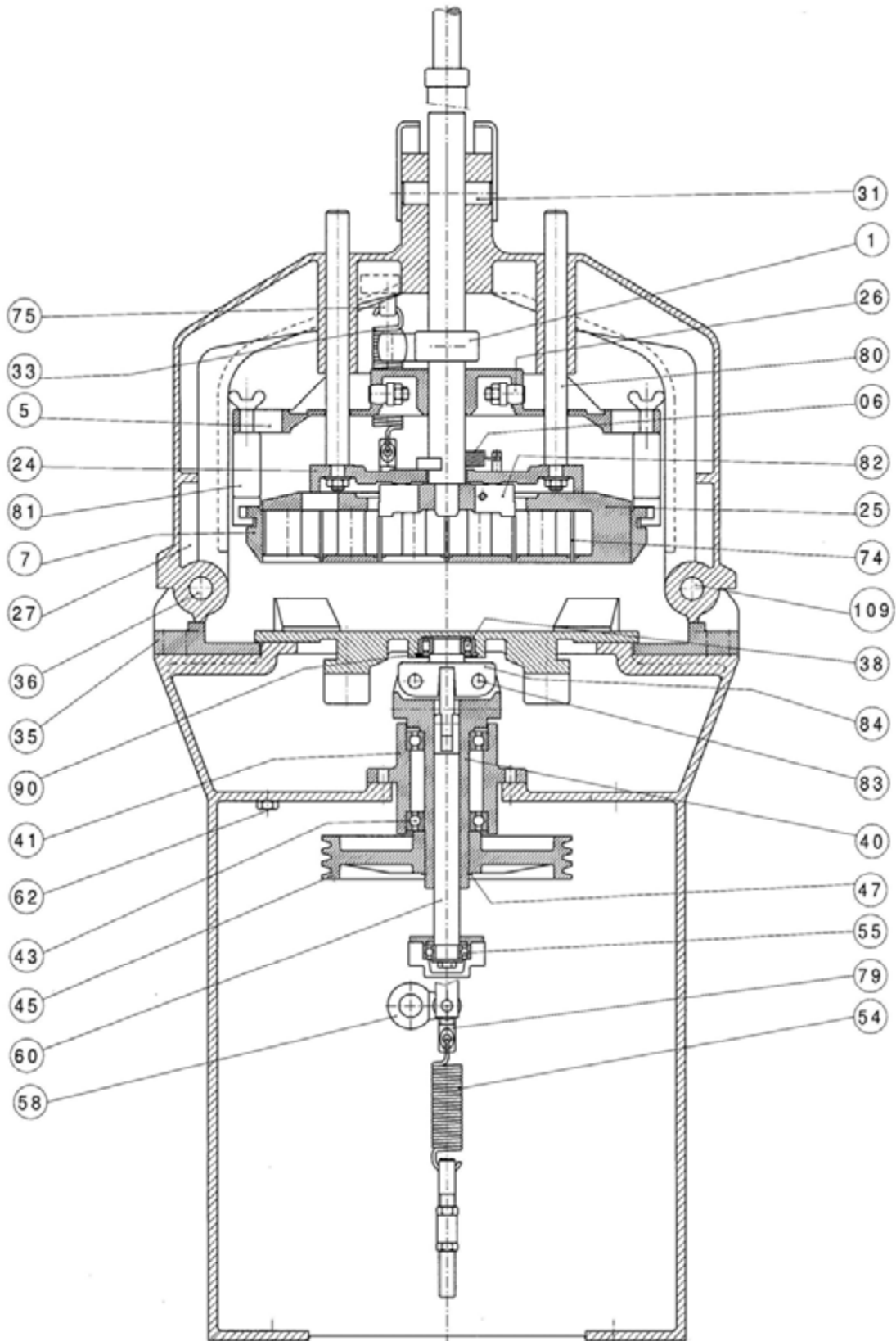
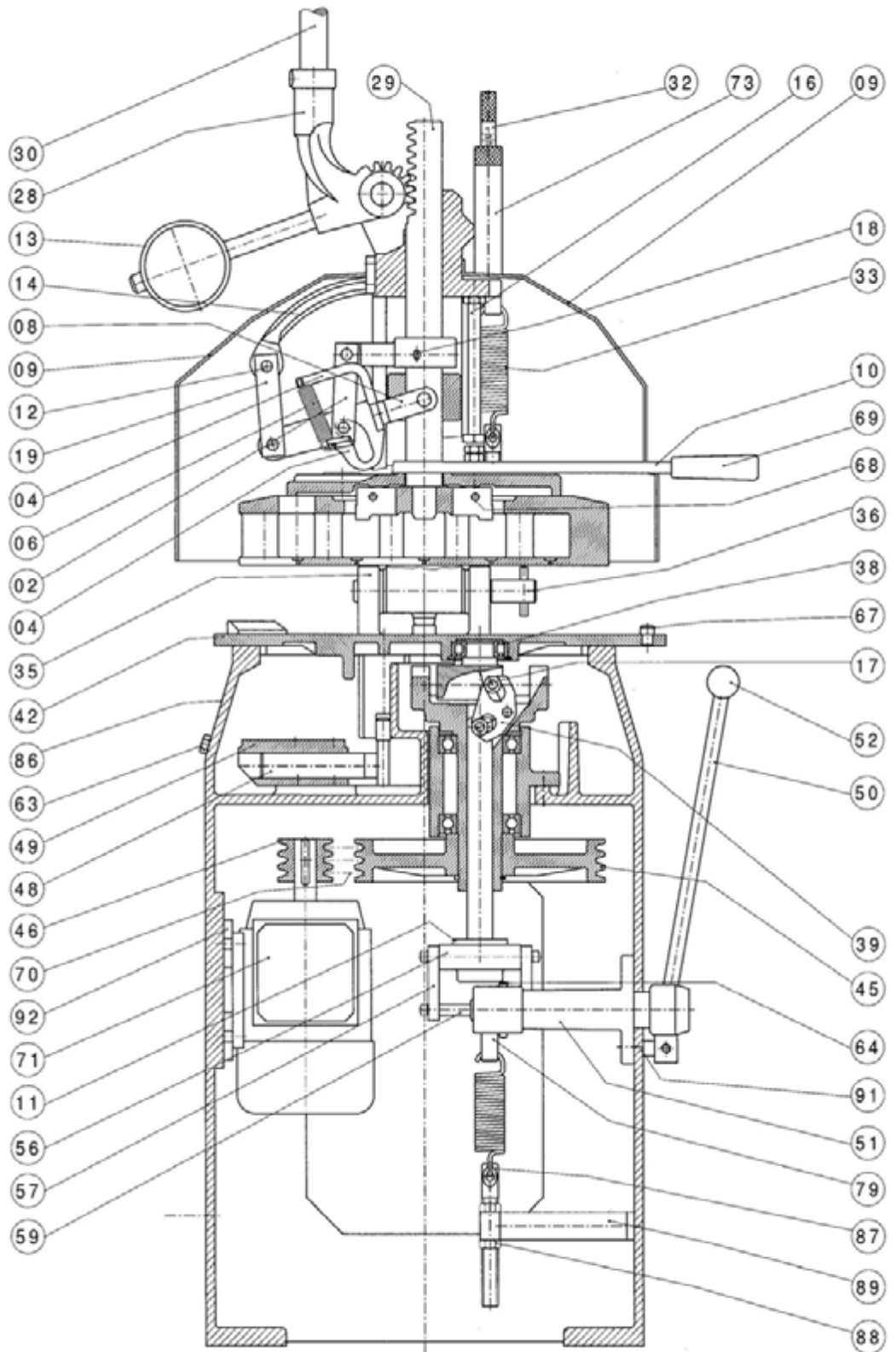


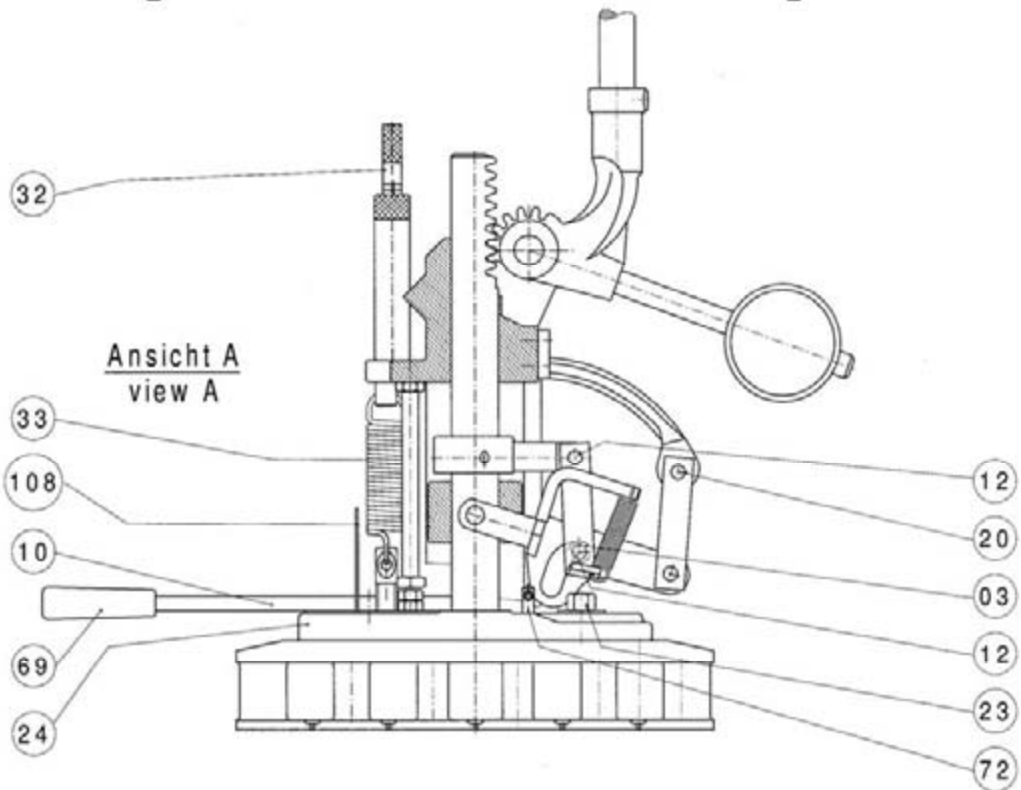
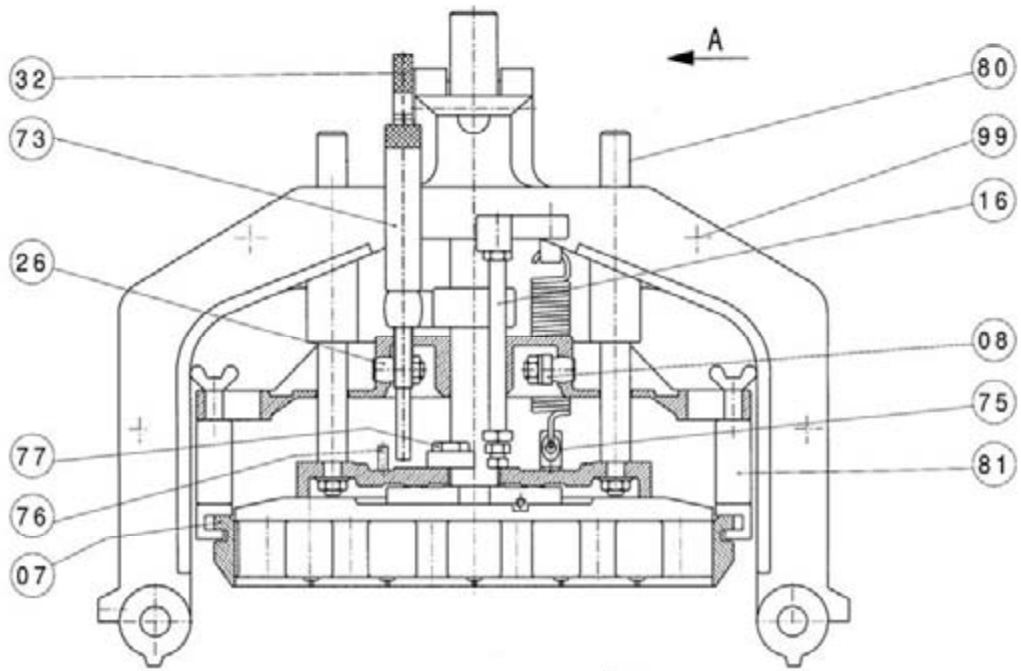
FRONT VIEW



SIDE VIEW



FRONT VIEW HEAD ASSEMBLY - A



SIDEVIEW HEAD ASSEMBLY - A

FRONT VIEW HEAD ASSEMBLY - B



Achtung ! Vor dem Messerwechsel unbedingt Hauptstrom abschalten !
Attention ! Switch off main power before changing the knife !

Messerwechsel:

- Griffbolzen entfernen, Bügel kippen
- Rahmen entfernen
- Insechskantschraube für Messerbefestigung nur lösen
- mit Preßhebel ca. 20mm abwärts fahren und Preßkolben mit Schneidhebel, S-010, entriegeln
- Messer entnehmen

change the knife:

- pull out bolt(S-036)
- turn over yoke(S-027)
- loosen only hexagon screw for knife fixing
- with pressure arm about 20mm downwards and unclamp piston with cutting arm (S-010)
- take knife

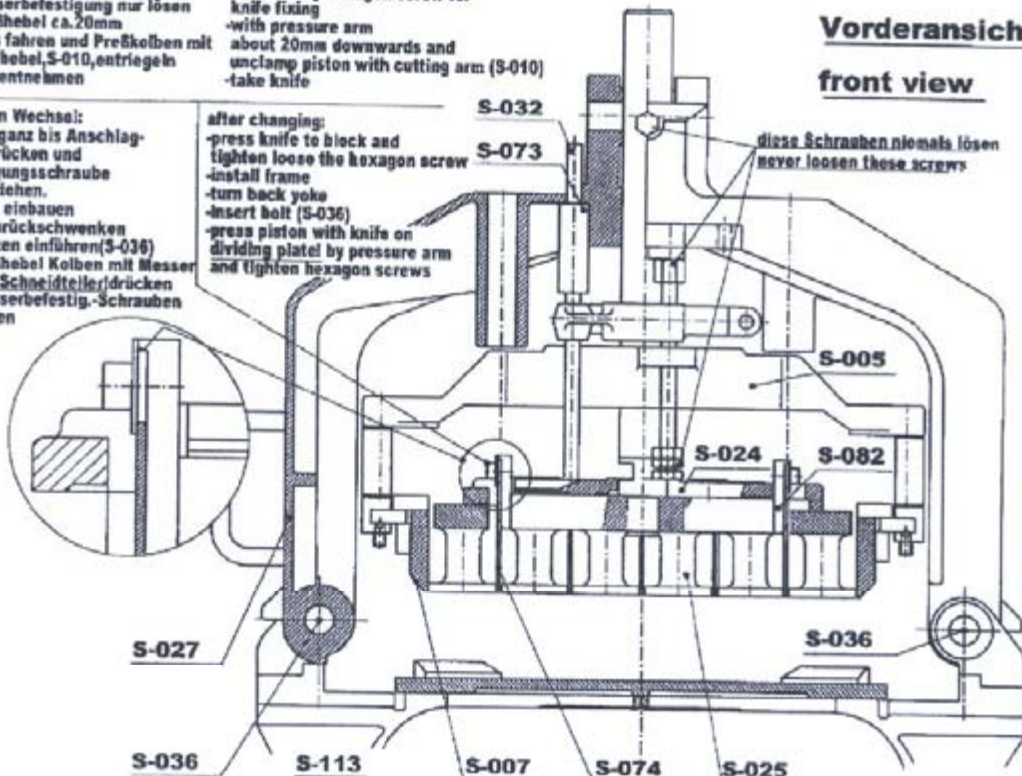
nach dem Wechsel:

- Messer ganz bis Anschlagkante drücken und Befestigungsschraube lose anziehen.
- Rahmen einbauen
- Bügel zurückschwenken
- Griffbolzen einführen(S-036)
- mit Preßhebel Kolben mit Messer fest auf Schneidhebel drücken und Messerfestig.-Schrauben festziehen

after changing:

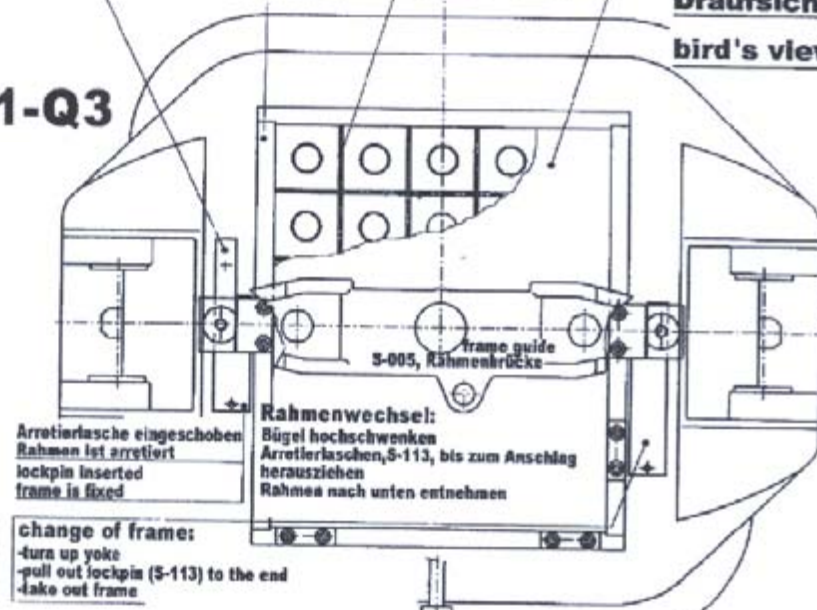
- press knife to block and tighten loose the hexagon screw
- install frame
- turn back yoke
- insert bolt (S-036)
- press piston with knife on dividing plate by pressure arm and tighten hexagon screws

Vorderansicht
front view



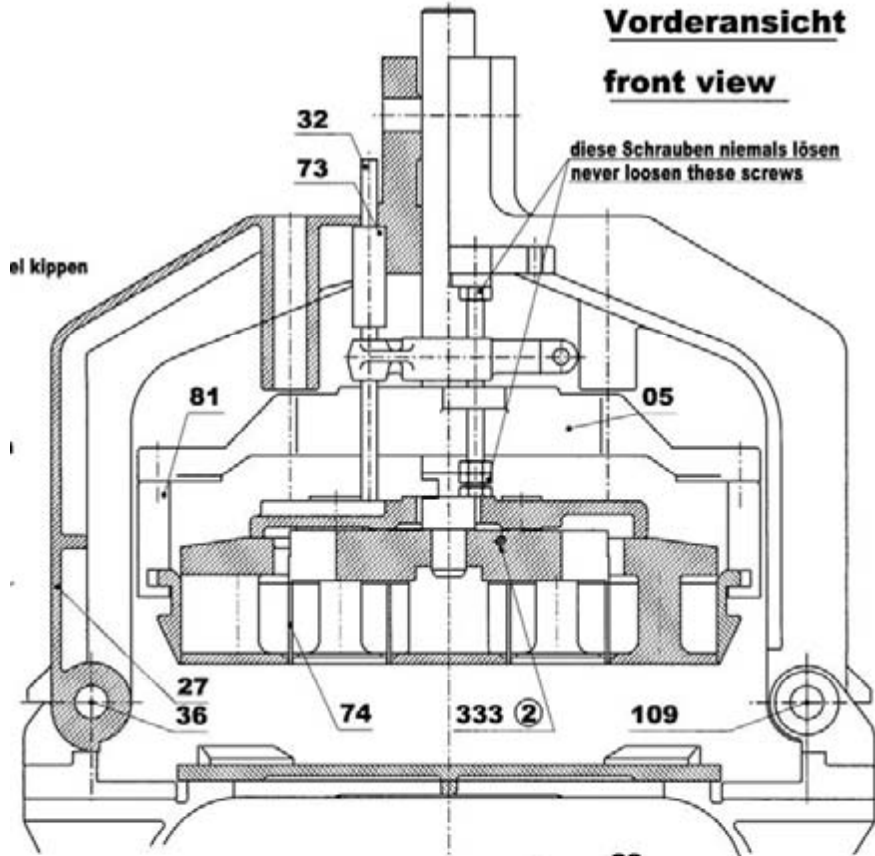
Draufsicht
bird's view

Erika Q1-Q3



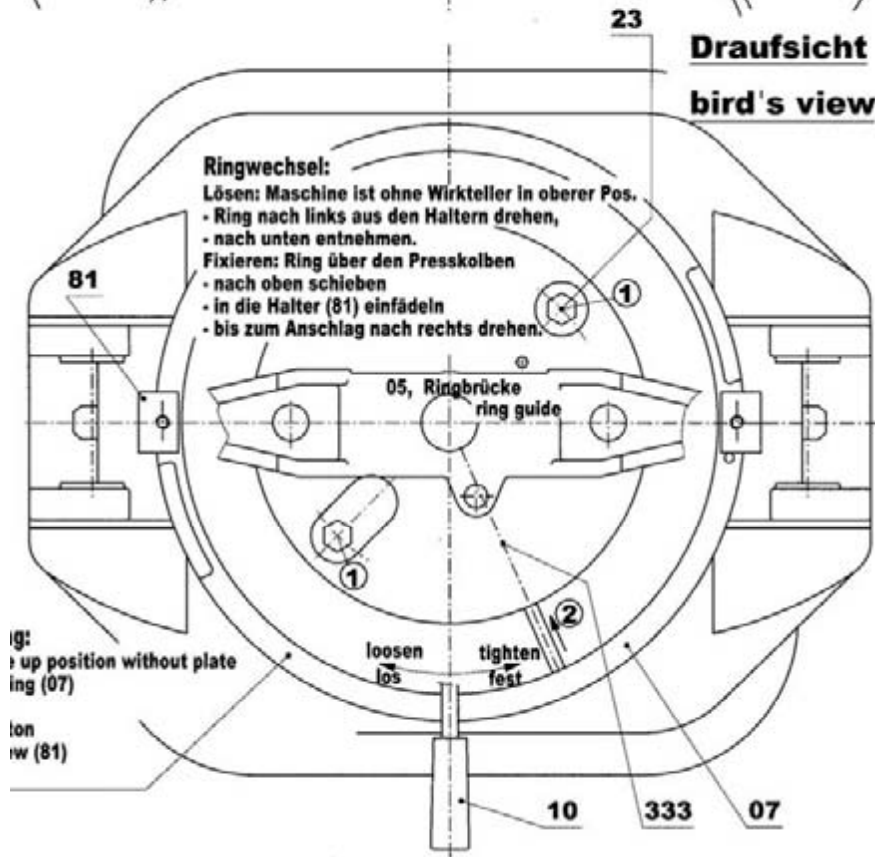
Vorderansicht

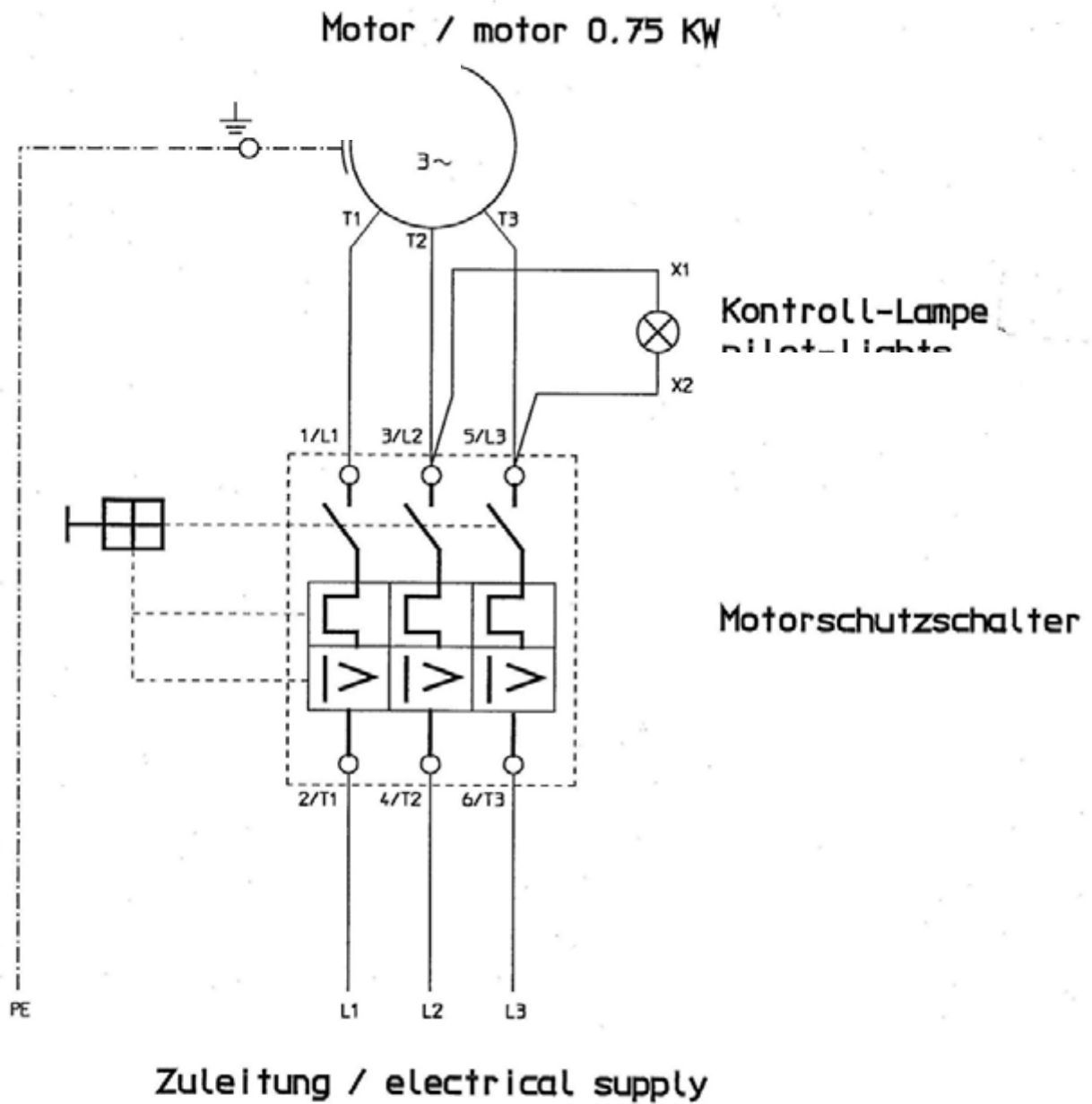
front view



Draufsicht

bird's view





Halbautomat
semi automat

Schaltplan / diagramm

| | |
|----------|---|
| Blatt: | 1 |
| Blätter: | 1 |

| Anderung | Datum | Name |
|----------|-------|------|
| | | |

| | |
|---------|-----------|
| Datum | 24.1.2003 |
| Bearb. | H. Rörig |
| Geprüft | Mönnecke |

ERIKA
REKORD
KARL SCHMIDT GMBH
31046 Aifeld Tel. 05181 - 84220

| | |
|----------------|----------|
| Zeichnung.Nr.: | ELA - 10 |
|----------------|----------|

Spare Part List

| | |
|---------------------|---------------------------|
| S - 001 | Stop |
| S - 002 | Latch |
| S - 003 | Latch Pivot |
| S - 004 | Fork Casting w/ Curve |
| S - 005 | Ring Guide |
| S - 006 | Pull Spring |
| S - 007 | Dough Ring |
| S - 008 | Arch for S - 004 |
| S - 009 | Cover Front/Rear |
| S - 010 | Cutting Arm |
| S - 011 | Bearing Cover |
| S - 012 | Pin |
| S - 013 | Counter Weight |
| S - 014 | Latch Bow |
| S - 015 | Straight Pin |
| S - 016 | Adjusting Screw |
| S - 017 | Pin |
| S - 018 | Pin |
| S - 019 | Connection Bar |
| S - 020 | Pin |
| S - 021 | Snap Ring |
| S - 022 | Pin |
| S - 024 | Flange |
| S - 025 / 074 / 082 | Piston w/ knife-head ass. |
| S - 026 | Screw |
| S - 027 | Arch |
| S - 028 | Gear Segment |
| S - 029 | Gear Bar |
| S - 030 | Pressure Arm |
| S - 031 | Segment Bolt |
| S - 032 | Adjusting Screw |
| S - 033 | Pull Spring |
| S - 034 | Screw |
| S - 035 | Pillow Block |
| S - 036 | Disconnecting Pin |
| S - 037 | Adjusting Screw |
| S - 038 | Roller Bearing |
| S - 039 | Angle Lift |
| S - 040 | Bushing |
| S - 040A | Drive Assy. |
| S - 041 | Bearing Housing |
| S - 042 | Pressure Plate |
| S - 043 | Ball Bearing |
| S - 045 | V-Belt Pulley |
| S - 046 | V-Belt Pulley Motor |
| S - 047 | Collar |
| S - 048 | Slide Bar |
| S - 049 | Bushing |
| S - 050 | Molding Lever Assy. |
| S - 051 | Flange Bearing |
| S - 052 | Knob |
| S - 054 | Pull Spring |
| S - 055 | Self Aligning Bearing |

| | |
|---------|------------------------|
| S - 056 | Bearing Housing |
| S - 057 | connecting Arm |
| S - 059 | Pin |
| S - 060 | Connecting Rod |
| S - 062 | Oil Drain Plug |
| S - 063 | Oil Filler Cap |
| S - 066 | Moulding Plate |
| S - 067 | Pin |
| S - 068 | Pin |
| S - 069 | Knob |
| S - 070 | V-Belt |
| S - 071 | Motor |
| S - 073 | Sleeve |
| S - 075 | Spring Guide |
| S - 076 | End Stop |
| S - 077 | Shoulder Bolt |
| S - 078 | Pull Spring |
| S - 079 | Spring Stud |
| S - 080 | Guide |
| S - 081 | Hook-Screw |
| S - 082 | Cross-Piece |
| S - 083 | Guide Pin |
| S - 084 | Vertical Guide Casting |
| S - 086 | Housing |
| S - 087 | Spring Bolt |
| S - 088 | Lock Nut |
| S - 089 | Spring Support |
| S - 090 | Retaining Ring |
| S - 091 | Stop Pin |
| S - 092 | Motor Bracket |
| S - 096 | Pin Pivot Arm |
| S - 099 | Arrowhead Pin |
| S - 101 | Circuit Breaker |
| S - 102 | Box F. Circuit Breaker |
| S - 104 | Pilot Light |
| S - 105 | Wheel Assy. |
| Q99-113 | Roller (transport) |
| Q0030Q1 | Knife 30 pcs. f. Q1 |
| Q0015Q1 | Knife 15 pcs. f. Q1 |
| Q0010Q1 | Knife 10 pcs. f. Q1 |
| Q0030Q2 | Knife 30 pcs. f. Q2 |
| Q0015Q2 | Knife 15 pcs. f. Q2 |
| Q0010Q2 | Knife 10 pcs. f. Q2 |
| Q0036Q3 | Knife 36 pcs. f. Q3 |
| Q0018Q3 | Knife 18 pcs. f. Q3 |
| Q0012Q3 | Knife 12 pcs. f. Q3 |
| Q0009Q3 | Knife 9 pcs. f. Q3 |
| Q0006Q3 | Knife 6 pcs. f. Q3 |
| Q0003Q3 | Knife 3 pcs. f. Q3 |

Specifications for different types of Semiautomatic machines

| | |
|------------|--|
| S – 005A | Ring Guide Type 10/25 + 11/30 |
| S – 005B | Ring Guide Type 2/36 + 9/20 |
| S – 007A | Dough Ring Type 11/30 |
| S – 007B | Dough Ring Type 5/18 |
| S – 007C | Dough Ring Type 2/36 + 9/20 |
| S – 007D | Dough Ring Type 10/25 |
| S – 009A | Cover Front, round Type 9/20 + 10/25 + 11/30 |
| S – 009B | Cover Front, Square Type 9/20 + 10/25 + 11/30 |
| S – 009C | Cover Front, Type 2/36 |
| S – 009D | Cover Rear, Round Type 9/20 + 10/25 + 11/30 |
| S – 009E | Cover Rear, Type 2/36 |
| S – 009F | Cover Rear, Square Type 9/20 + 10/25 + 11/30 |
| S – 016A | Adjusting Screw, Type 9/20 + 2/36 |
| S – 016B | Adjusting Screw, Type 10/25 + 11/30 |
| S – 024A | Flange Type, 10/25 + 11/30 |
| S – 024B | Flange Type, 2/36 + 9/20 |
| S – 025A | Piston w/ Knifehead Assy., Type 11/30 |
| S – 025B | Piston w/ Knifehead Assy., Type 10/25 |
| S – 025C | Piston w/ Knifehead Assy., Type 9/20 + 2/36 |
| S – 025D | Piston w/ Knifehead Assy., Type 7/70 |
| S – 025E | Piston w/ Knifehead Assy., Type 6/150 |
| S – 025F | Piston w/ Knifehead Assy, Type 5/18 |
| S – 025G | Piston w/ Knifehead Assy, Type 4/40 |
| S – 025I | Piston w/ Knifehead Assy, Type 11/30 |
| S – 027A | Arch Round, Type 10/25 + 11/30 |
| S – 027B | Arch Round, Type 9/20 |
| S – 027C | Arch, Type 2/36 |
| S – 027D | Arch, Type 10/25 + 11/30 |
| S – 027E | Arch, Type 9/20 |
| S – 029A | Gear Bar, Type 4/40 + 6/150 |
| S – 029B | Gear Bar, Type 10/25 + 11/30 |
| S – 029C | Gear Bar, Type 2/36 + 9/20 |
| S – 032A | Adjusting Screw, Type 10/25 + 11/30 |
| S – 032B | Adjusting Screw, Type 2/36 + 9/20 |
| S – 035A | Pillow Block, Type 9/20 + 10/25 + 11/30 + 2/36 |
| S – 042A | Pressure Plate, Type 9/20 + 10/25 + 11/30 + 2/36 |
| S – 066/1 | Moulding Plate, Type 10/25 – 36 Parts #336 |
| S – 066/2 | Moulding Plate, Type 11/30 – 36 Parts #46 |
| S – 066/3 | Moulding Plate, Type 2/36 – 36 Parts #26 |
| S – 066/4 | Moulding Plate, Type 4/40 – 30 Parts #45 |
| S – 066/5 | Moulding Plate, Type 5/18 – 50 Parts #50 |
| S – 066/6 | Moulding Plate, Type 6/150 – 15 Parts #415 |
| S – 066/7 | Moulding Plate, Type 7/70 – 20 Parts #420 |
| S – 066/8 | Moulding Plate, Type 9/20 – 36 Parts #326 |
| S – 066/9 | Moulding Plate, Type 3/30 – 30 Parts #35 |
| S – 066/10 | Moulding Plate, Type 2/25 – 30 Parts #25 |
| S – 066/11 | Moulding Plare, Type 8/250 – 7 Parts #47 |
| S – 071A | Single Phase Motor 0,55 kw |
| S – 081A | Hook-Screw, Type 11/30 |
| S – 081B | Hook-Screw, Type 9/20 + 10/25 + 2/36 |
| S – 082A | Cross-Piece, Type 11/30 |
| S – 082B | Cross-Piece, Type 10/25 |
| S – 082C | Cross-Piece, Type 9/20+ 2/36 |

Please look at your Machine Type Label before ordering!