

Reversible Pastry Sheeter with Available Cutting Station



The Z.Matik SHE 600 Series reversible pastry sheeter is perfect for bakeries and restaurants with limited space. In addition, they are easy to clean and service with completely removable dough scrapers. When not in use, both sides of the conveyor table fold up for storage. This versatile machine can also be coupled with an available cutting station.

Features

- ✓ **Versatility**
Suitable for a wide variety of doughs including: puffed, croissant, biscuit, doughnut, short dough, Phyllo (Filo). In addition, this machine can also be purchased with an optional cutting station.
- ✓ **Space Saving Design**
This sheeter features folding conveyor belts that minimizes the machine's footprint when not in use.
- ✓ **Easy Cleaning**
Easy to remove polyethylene scrapers and conveyor belt made of synthetic material for easy cleaning.
- ✓ **Accessories**
Rolling pins with mounted supports are standard.
- ✓ **Adjustable Speed**
Variable speed control.
- ✓ **Reversible**
This floor pastry sheeter is reversible, enabling the operator to process dough in both directions, saving both time and operator strain.
- ✓ **Easy Operation**
Quick and easy one-person setup, with ergonomic handles that reduce operator strain. This includes foot pedal controls.
- ✓ **Safety Guards**
Safety guard surrounds the area where dough is processed for added safety.
- ✓ **Durable Construction**
Ensures both hygiene and durability, this includes use of stainless-steel material



Available Configurations



+ Cutting Station

Facilitates the production of various pastry products, including croissants.

+ Additional Cutting Attachments

Designed to be used in conjunction with the cutting station.

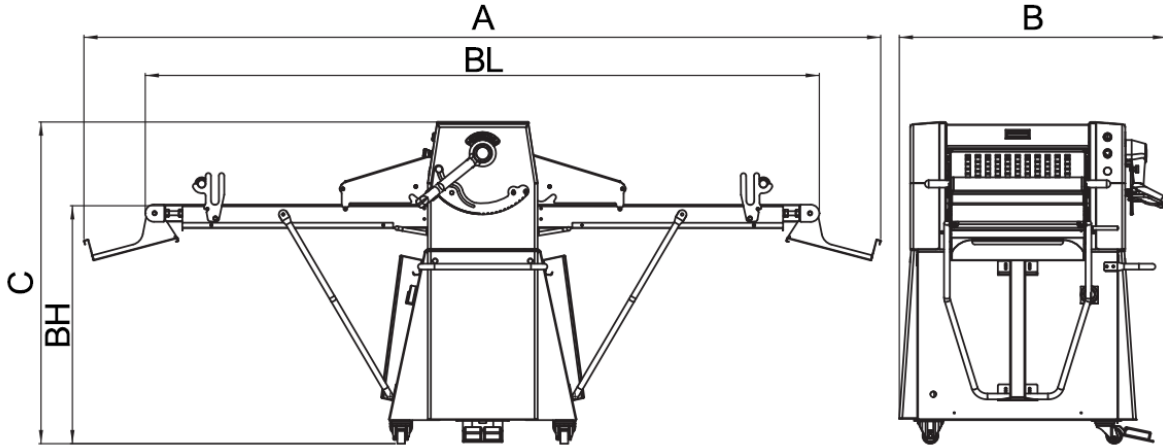
+ Stainless Steel/INOX

Stainless-steel exterior for enhanced durability.

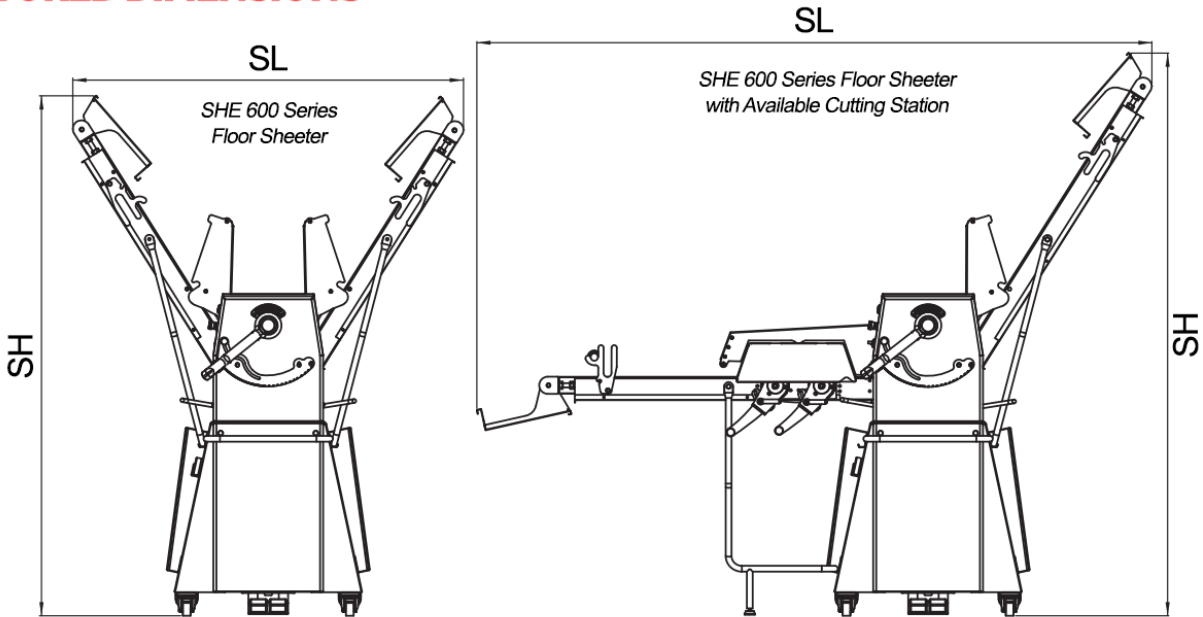
Technical Specifications

	SHE 6014	SHE 6014 DT (Cutting Station)
Electrical Specifications	220 v 1 ph 60 Hz	
Motor	0.75 kW 1 HP	
Cylinder Dimensions	80 Ø 50 A	
Certifications	BISSC	
<i>Standard Dimensions</i>		
Standard Dimensions (A x B x C)	134.25 x 44.5 x 47.83" 3410 x 1130 x 1215 mm	
Net Weight	618 lb. 280 kg	684 lb. 310 kg
Stored Dimensions (SL x B x SH)	67 x 44.5 x 84" 1700 x 1130 x 2130 mm	101 x 44.5 x 84" 2560 x 1130 x 2130 mm
<i>Belt Dimensions</i>		
Conveyor Belt Width	23.75" 600 mm	
Conveyor Belt Working Height (BH)	35.43" 900 mm	
Conveyor Belt Working Length (BL)	115.75" 2940 mm	
<i>Shipping Dimensions</i>		
Shipping Dimensions (L x W x H)	43.5 x 47.25 x 77" 110 x 120 x 195 cm	
Shipping Weight	596 lb. 270 kg	728 lb. 330 kg

STANDARD DIMENSIONS



STORED DIMENSIONS



**ACCESS OUR
PRODUCT PAGE & VIDEO**



Specifications are subject to change without notice, as we remain committed to delivering the best equipment possible. Technical specifications and warranty information will be provided in your quote.